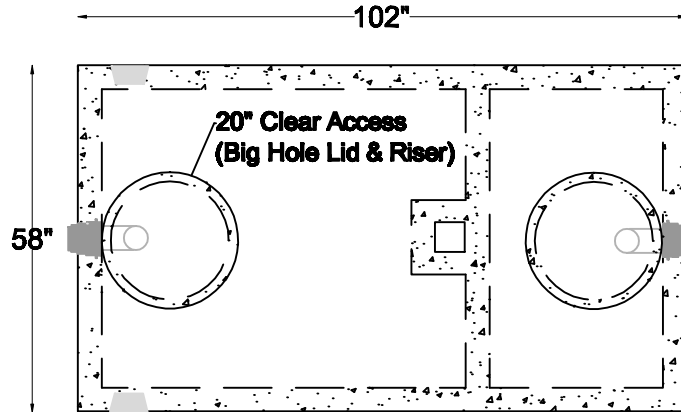


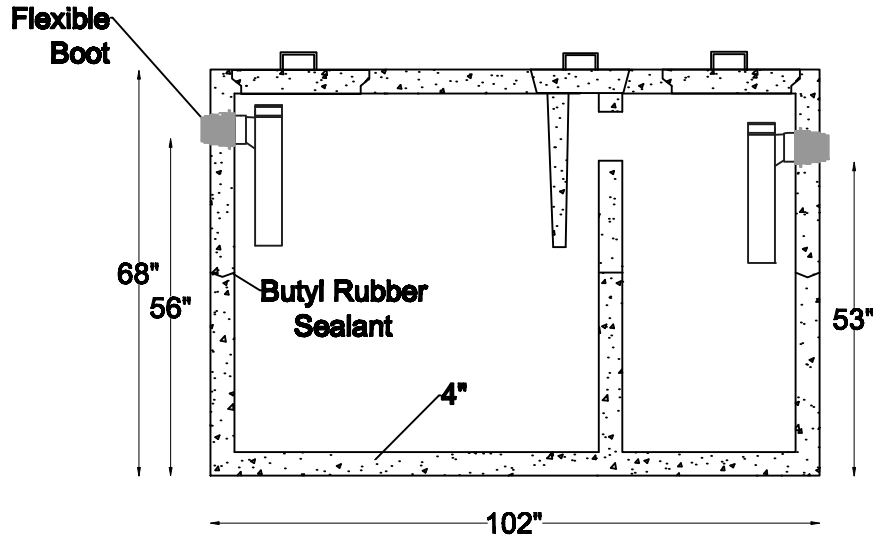
**Item #  
1000M-2CP**

# 1000 Gallon Two Compartment

**Top  
View**



**Section  
View**



Digging Specs	Invert		Dimensions		
11' Long x 7' Wide 56" below inlet invert	Inlet 56"	Outlet 53"	Length 102"	Width 58"	Height 68"

**\*Meets ASTM C-1227 spec including C-1644-06 for resilient connectors**

- 4000 psi concrete
- Delivered complete with internal piping
- PVC, poly or concrete risers available

Net Capacity			Total Weight 10,320 lbs
Inlet Side 677 gallons	Outlet Side 331 gallons	Total 1,008 gallons	



**Water &  
Wastewater**

- Systems
- Products
- Service

**(719) 395-6764**

**Fax: (719) 395-3727**

**Website: [www.valleyprecast.com](http://www.valleyprecast.com)**

**Email: [frontdesk@valleyprecast.com](mailto:frontdesk@valleyprecast.com)**

**28005 Co. Rd. 317**

**P.O. Box 925**

**Buena Vista, CO 81211**