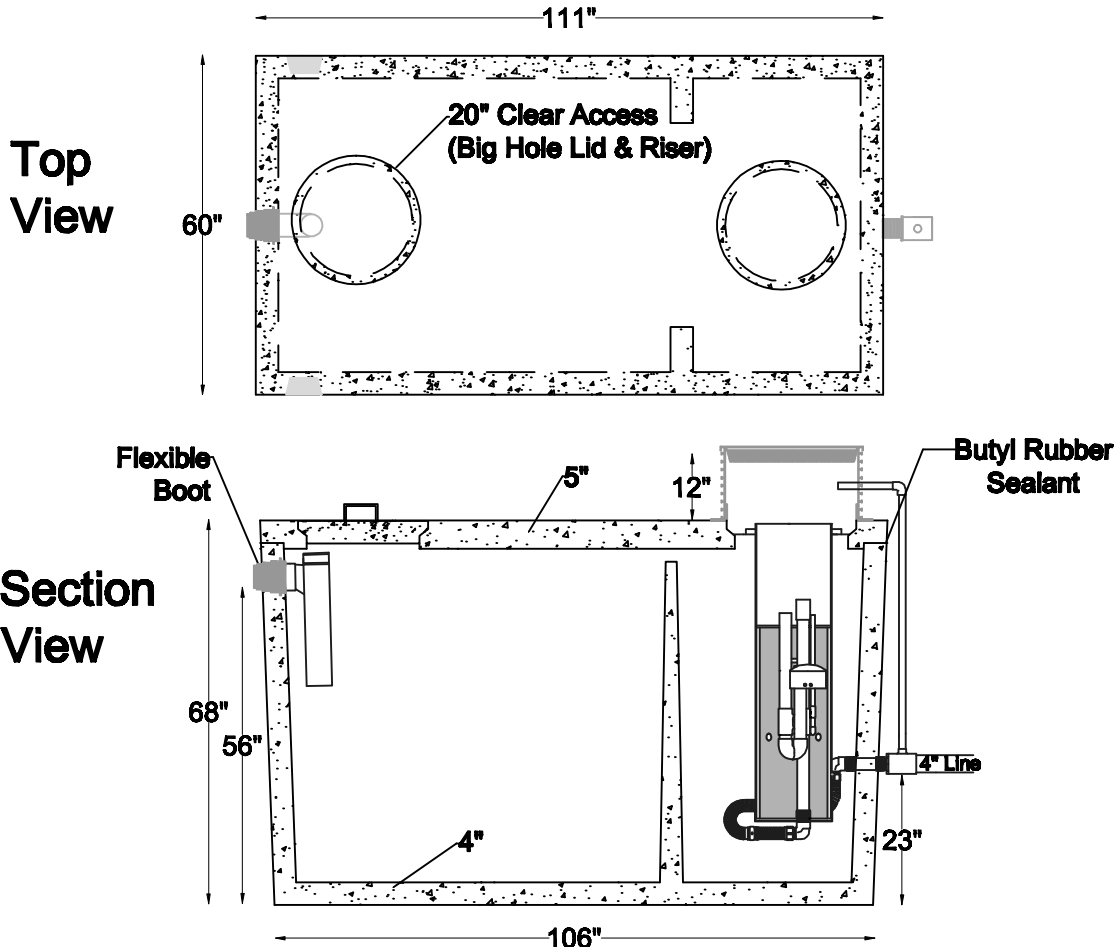


**Item #
1000T-1CP-D2**

1000 Gallon Top Seam One Compartment with 200 Dosing Siphon



Tank:

***Meets ASTM C-1227 spec including C-1644-06 for resilient connectors**

- 4000 psi concrete
- Delivered complete with internal piping

Siphon:

- All siphons have removable screens
- Low maintenance
- No moving parts
- Completely non-corrosive

Digging Specs	Invert		Dimensions			Net Capacity	Net Weight		
	Inlet	Outlet	Length	Width	Height		Lid	Tank	Total
11' Long x 7' Wide 56" below inlet invert	56"	23"	111"	60"	80"	1,042 gallons	2,620 lbs	8,915 lbs	11,585 lbs



Water & Wastewater

- Systems
- Products
- Service

(719) 395-6764

Fax: (719) 395-3727

Website: www.valleyprecast.com

Email: frontdesk@valleyprecast.com

28005 Co. Rd. 317
P.O. Box 925
Buena Vista, CO 81211