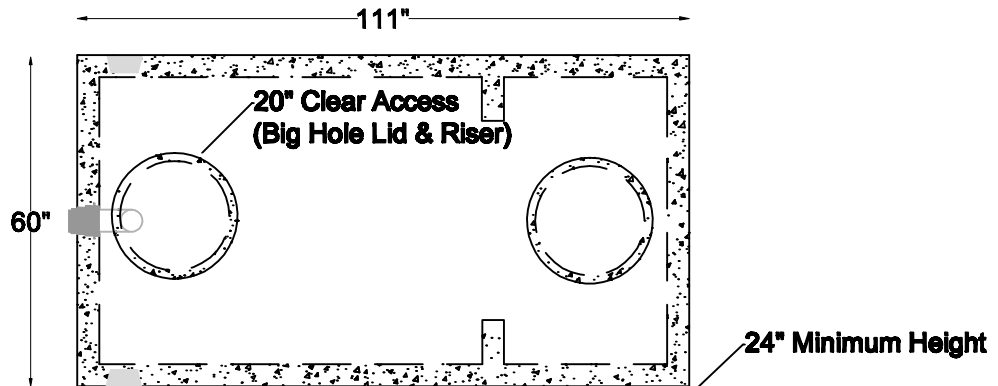


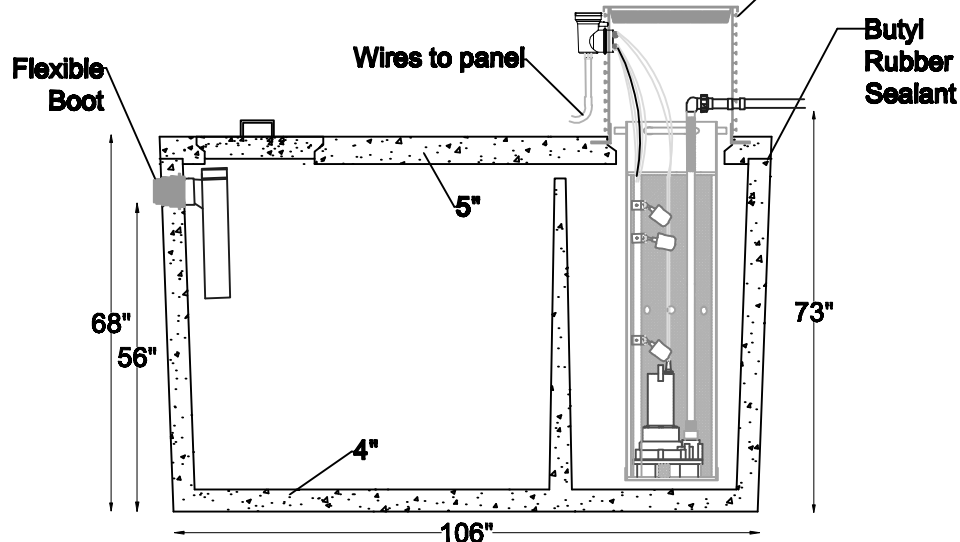
**Item #  
1000T-1CP-LH**

# 1000 Gallon Top Seam One Compartment with Low Head Pump

**Top  
View**



**Section  
View**



**Tank:**

**\*Meets ASTM C-1227 spec including C-1644-06 for resilient connectors**

- 4000 psi concrete
- Delivered complete with internal piping

*Service contracts available for maintenance*

**Pump:**

- Lowers TSS and improves effluent quality to field
- Complete installation (wiring, panel, mounting and start-up procedures)
- Complete warranty

Digging Specs	Invert		Dimensions			Net Capacity	Net Weight		
	Inlet	Outlet	Length	Width	Height		Lid	Tank	Total
11' Long x 7' Wide 56" below inlet invert	56"	73"	111"	60"	92"	1,042 gallons	2,620 lbs	8,915 lbs	11,735 lbs



**Water &  
Wastewater**

- Systems
- Products
- Service

**(719) 395-6764**

**Fax: (719) 395-3727**

**Website: [www.valleyprecast.com](http://www.valleyprecast.com)**

**Email: [frontdesk@valleyprecast.com](mailto:frontdesk@valleyprecast.com)**

28005 Co. Rd. 317  
P.O. Box 925  
Buena Vista, CO 81211