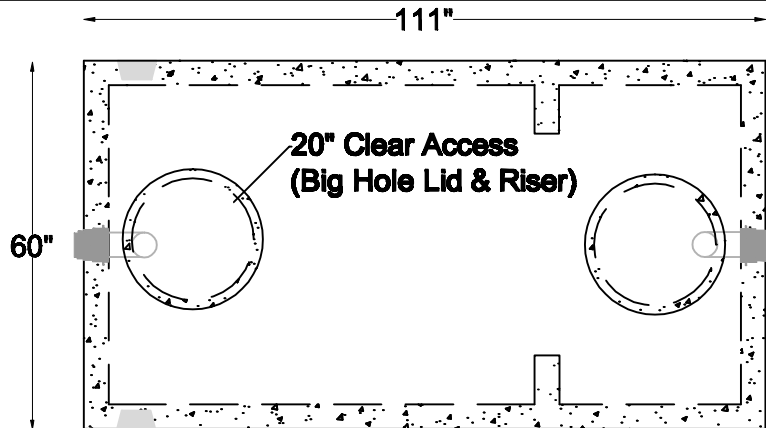


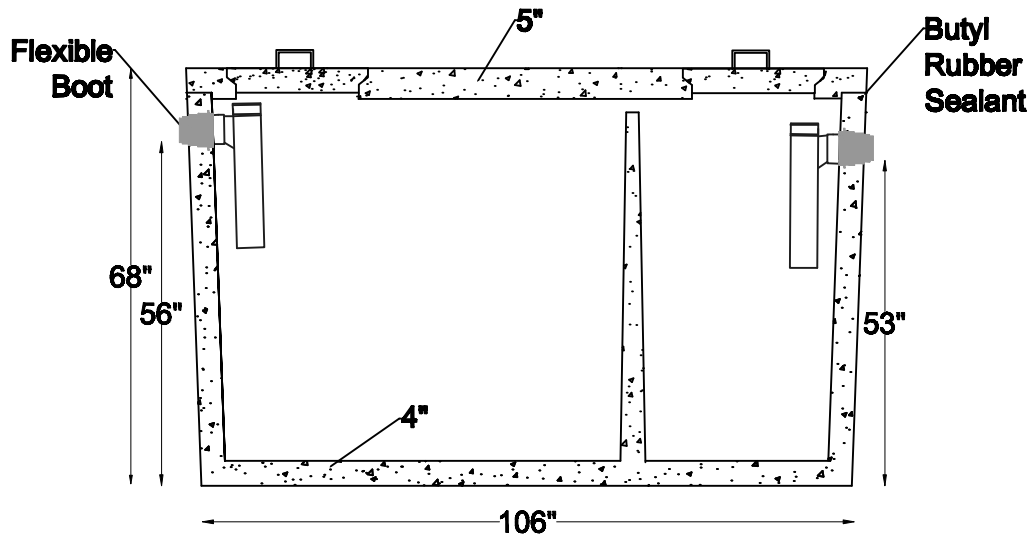
**Item #
1000T-1CP**

1000 Gallon Top Seam One Compartment

**Top
View**



**Section
View**



***Meets ASTM C-1227 spec including C-1644-06 for resilient connectors**

- 4000 psi concrete
- Delivered complete with internal piping
- PVC, poly or concrete risers available
- Option of pump or siphon installed

Digging Specs	Invert		Dimensions		
11' Long x 7' Wide	Inlet	Outlet	Length	Width	Height
56" below inlet invert	56"	53"	111"	60"	68"

Net Capacity	Net Weight		
	Lid	Tank	Total
1,042 gallons	2,620 lbs	8,915 lbs	11,535 lbs



**Water &
Wastewater**

- Systems
- Products
- Service

(719) 395-6764

Fax: (719) 395-3727

Website: www.valleyprecast.com

Email: frontdesk@valleyprecast.com

28005 Co. Rd. 317
P.O. Box 925
Buena Vista, CO 81211