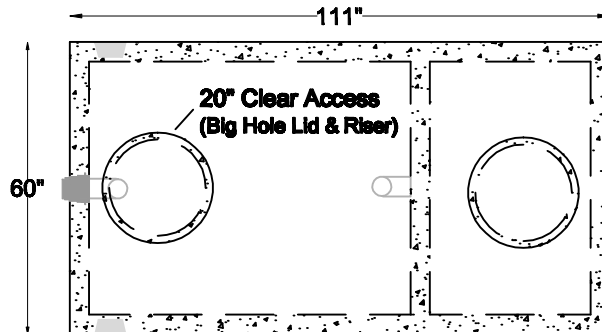


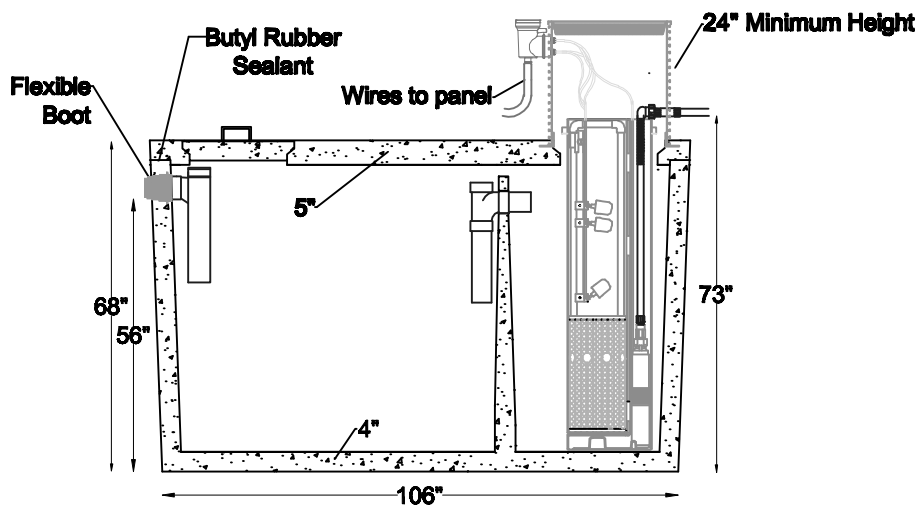
**Item #
1000T-2CP-HH**

1000 Gallon Top Seam Two Compartment with High Head Pump

**Top
View**



**Section
View**



Tank:

***Meets ASTM C-1227 spec including C-1644-06 for resilient connectors**

- 4000 psi concrete
- Delivered complete with internal piping

Service contracts available for maintenance

Pump:

- Lowers TSS and improves effluent quality to field
- Easiest pump system to maintain on the market
- Complete installation (wiring, panel, mounting and start-up procedures)
- Complete warranty

Digging Specs	Invert		Dimensions			Net Capacity		
11' Long x 7' Wide 56" below inlet invert	Inlet 56"	Outlet 73"	Length 111"	Width 60"	Height 92"	Inlet Side 687 gallons	Outlet Side 323 gallons	Total 1,010 gallons

Lid	Net Weight Tank	Total
2,620 lbs	9,390 lbs	12,200 lbs



**Water &
Wastewater**

- Systems
- Products
- Service

(719) 395-6764

Fax: (719) 395-3727

Website: www.valleyprecast.com

Email: frontdesk@valleyprecast.com

28005 Co. Rd. 317
P.O. Box 925
Buena Vista, CO 81211