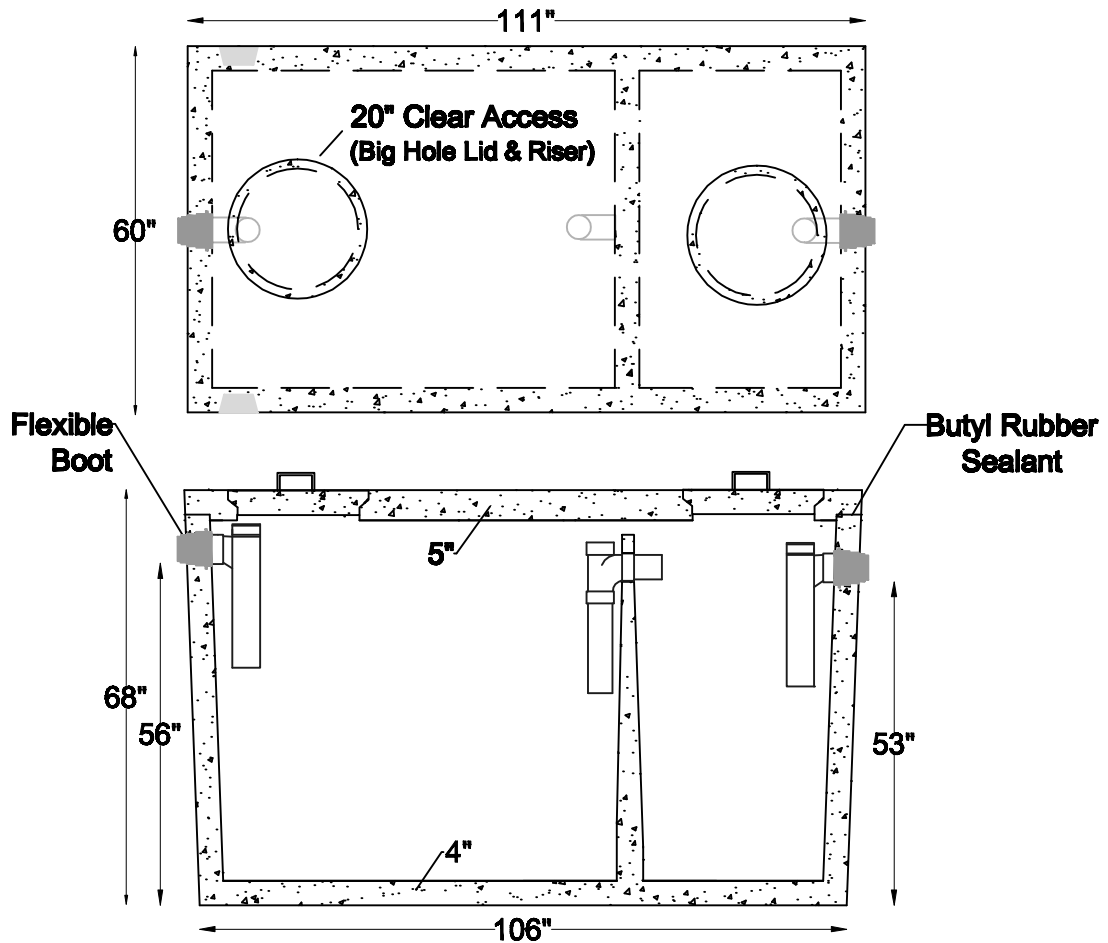


**Item #
1000T-2CP**

1000 Gallon Top Seam Two Compartment

**Top
View**



**Section
View**

***Meets ASTM C-1227 spec
including C-1644-06 for resilient
connectors**

- 4000 psi concrete
- Delivered complete with internal piping
- PVC, poly or concrete risers available
- Option of pump or siphon installed

Digging Specs	Invert		Dimensions		
	Inlet	Outlet	Length	Width	Height
11' Long x 7' Wide 56" below inlet invert	56"	53"	111"	60"	68"

Net Capacity		
Inlet Side	Outlet Side	Total
687 gallons	323 gallons	1,010 gallons

Net Weight		
Lid	Tank	Total
2,620 lbs	9,380 lbs	12,000 lbs



**Water &
Wastewater**

- Systems
- Products
- Service

(719) 395-6764

Fax: (719) 395-3727

Website: www.valleyprecast.com

Email: frontdesk@valleyprecast.com

28005 Co. Rd. 317
P.O. Box 925
Buena Vista, CO 81211