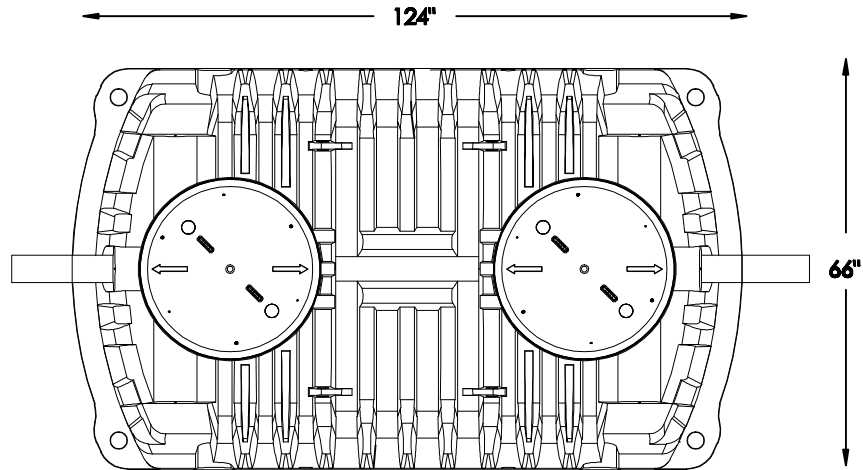


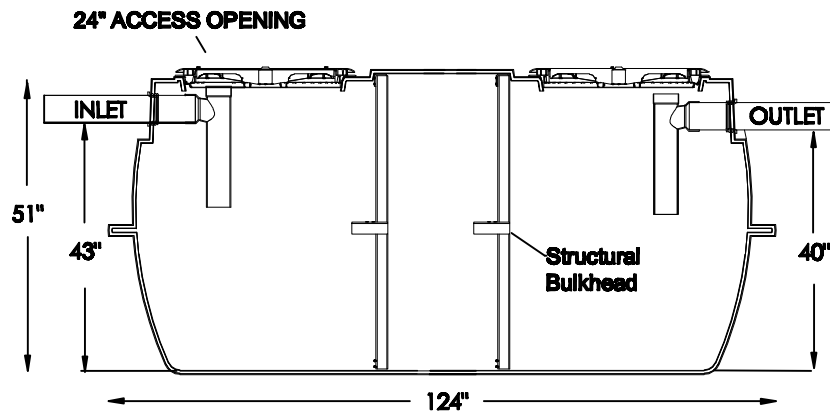
**Item #
1050I-2CP**

1050 Gallon Two Compartment Infiltrator® Poly Tank

**Top
View**



**Section
View**



- Compliant with CSA and IAPMO Standards
- Maximum burial depth is 48"
- Tank is not rated for vehicular traffic loading
- Exterior of manhole cover includes the following warning: "DANGER DO NOT ENTER: POISON GASES"

Digging Specs	Invert		Dimensions		
12' Long x 7' Wide	Inlet	Outlet	Length	Width	Height
43" below inlet invert	43"	40"	124"	66"	51"

Net Capacity
1,057 gallons



Tank includes lids
Risers available on request for an additional charge



**Water &
Wastewater**

- Systems
- Products
- Service

(719) 395-6764

Fax: (719) 395-3727

Website: www.valleyprecast.com

Email: frontdesk@valleyprecast.com

**28005 Co. Rd. 317
P.O. Box 925
Buena Vista, CO 81211**