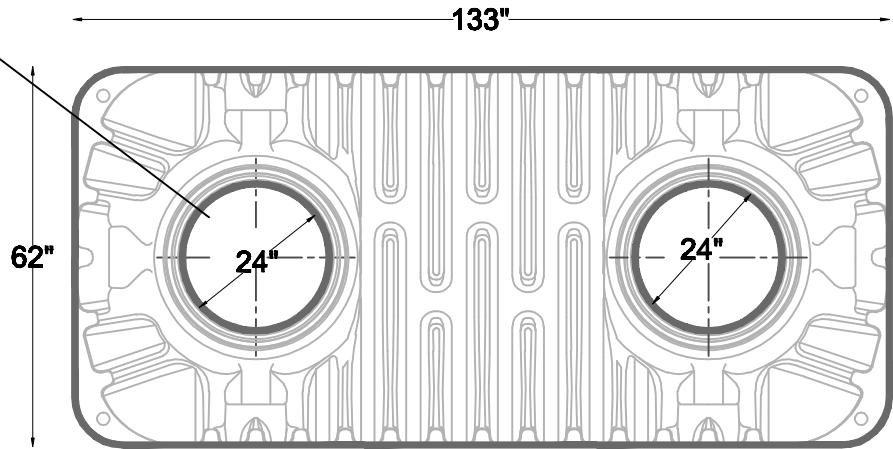


**Item #  
1060F-2CP**

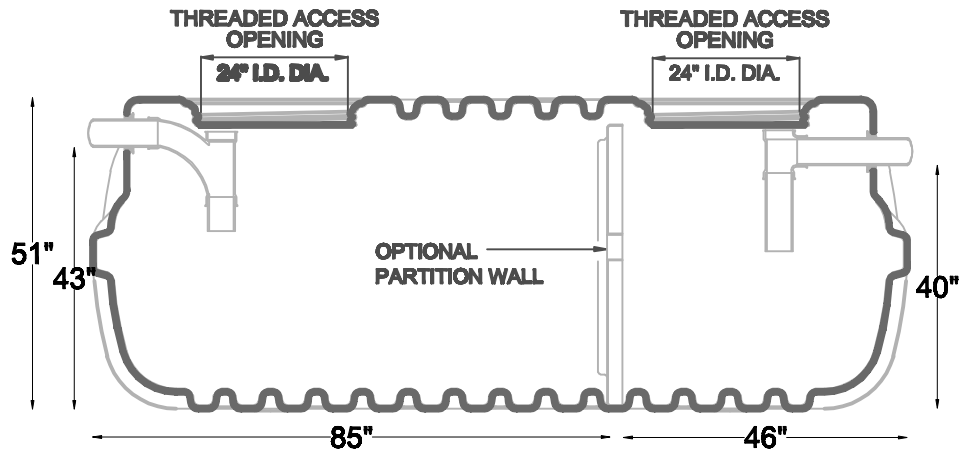
# 1060 Gallon Two Compartment FRALO Poly Tank

**Top  
View**

Threaded  
Access  
Opening  
24" I.D. Dia.  
(2 Typical)



**Section  
View**



- Compliant with CSA and IAPMO Standards
- All resin used is compliant with ASTM D 1248 as required by CSA B66 and IAPMO PS 1-2004e1
- Maximum burial depth is 36"
- Tank is not rated for vehicular traffic loading

Digging Specs	Invert		Dimensions		
12' Long x 7' Wide	Inlet	Outlet	Length	Width	Height
43" below inlet invert	43"	40"	133"	62"	51"

Net Capacity	Total Weight
1,060 gallons	520 lbs



Tank includes lids  
*Risers available on request for an additional charge*



**Water &  
Wastewater**

- Systems
- Products
- Service

**(719) 395-6764**

**Fax: (719) 395-3727**

**Website: [www.valleyprecast.com](http://www.valleyprecast.com)**

**Email: [frontdesk@valleyprecast.com](mailto:frontdesk@valleyprecast.com)**

28005 Co. Rd. 317  
P.O. Box 925  
Buena Vista, CO 81211