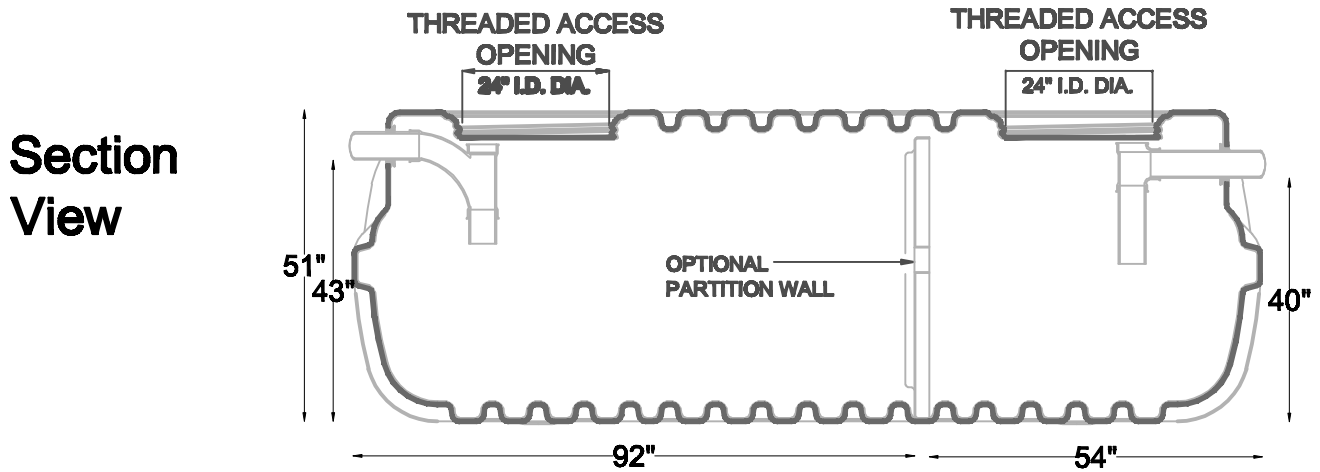
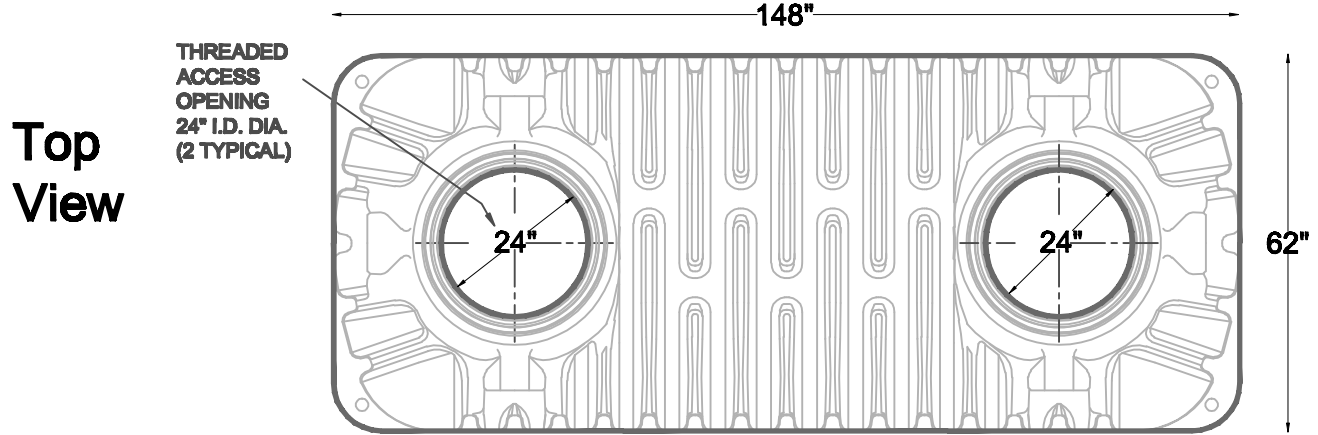


**Item #
1250F-2CP**

1250 Gallon Two Compartment FRALO Poly Tank



- Compliant with CSA and IAPMO Standards
- All resin used is compliant with ASTM D 1248 as required by CSA B66 and IAPMO PS 1-2004el
- Maximum burial depth is 36"
- Tank is not rated for vehicular traffic loading

Digging Specs	Invert		Dimensions		
14' Long x 7' Wide	Inlet	Outlet	Length	Width	Height
43" below inlet invert	43"	40"	148"	62"	51"

Net Capacity	Total Weight
1,250 gallons	560 lbs



Tank includes lids
Risers available on request for an additional charge



**Water &
Wastewater**

- Systems
- Products
- Service

(719) 395-6764

Fax: (719) 395-3727

Website: www.valleyprecast.com

Email: frontdesk@valleyprecast.com

28005 Co. Rd. 317
P.O. Box 925
Buena Vista, CO 81211