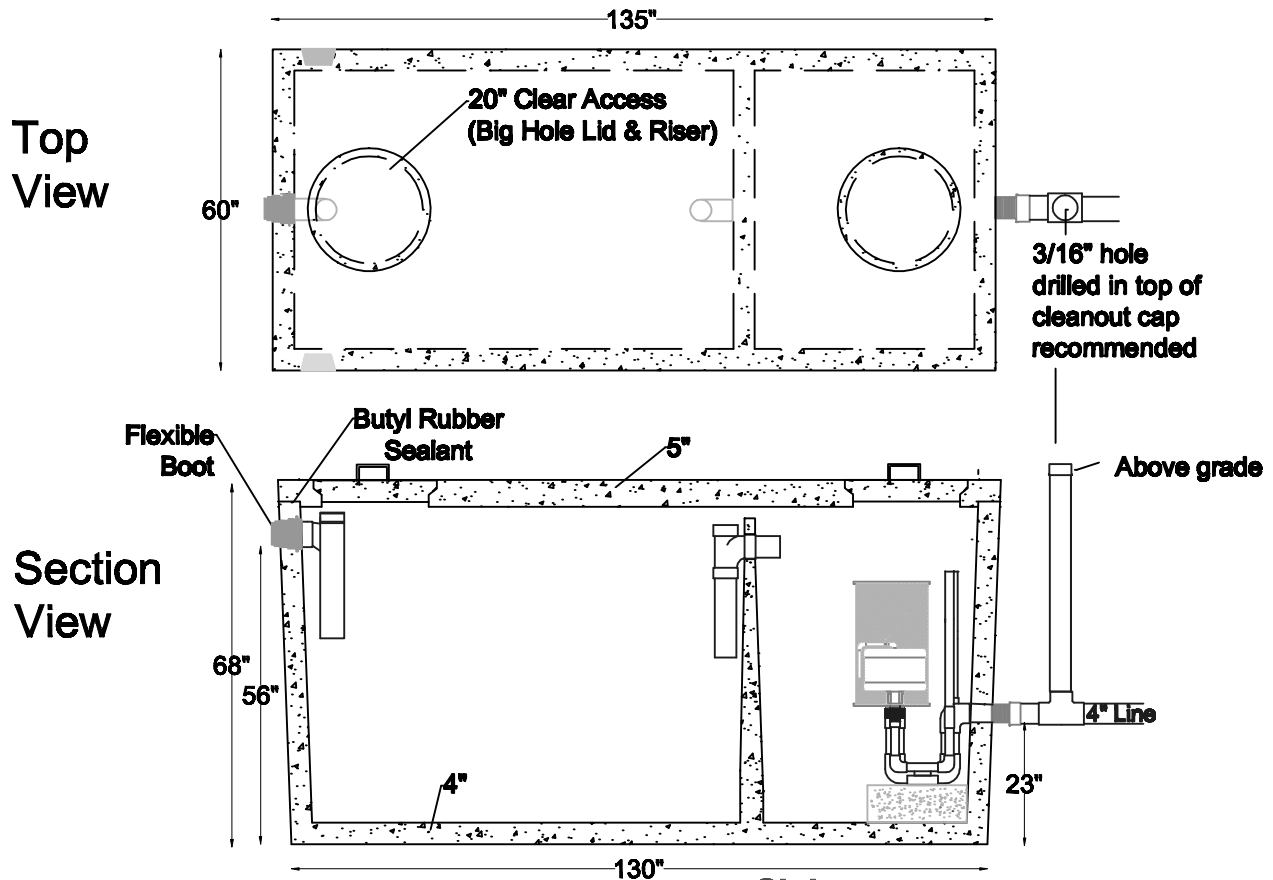


Item #
1250T-2CP-D3

1250 Gallon Top Seam Two Compartment with 300 Series Dosing Siphon



Tank:

***Meets ASTM C-1227 spec including C-1644-06 for resilient connectors**

- 4000 psi concrete
- Delivered complete with internal piping

Siphon:

- All siphons have removable screens
- Low maintenance
- No moving parts
- Completely non-corrosive

Digging Specs	Invert		Dimensions			Net Capacity		
	Inlet	Outlet	Length	Width	Height	Inlet Side	Outlet Side	Total
13' Long x 7' Wide 56" below inlet invert	56"	23"	135"	60"	68"	843 gallons	416 gallons	1,259 gallons

Net Weight		
Lid	Tank	Total
3,120 lbs	10,880 lbs	14,050 lbs



Water & Wastewater

- Systems
- Products
- Service

(719) 395-6764

Fax: (719) 395-3727

Website: www.valleyprecast.com

Email: frontdesk@valleyprecast.com

28005 Co. Rd. 317
P.O. Box 925
Buena Vista, CO 81211