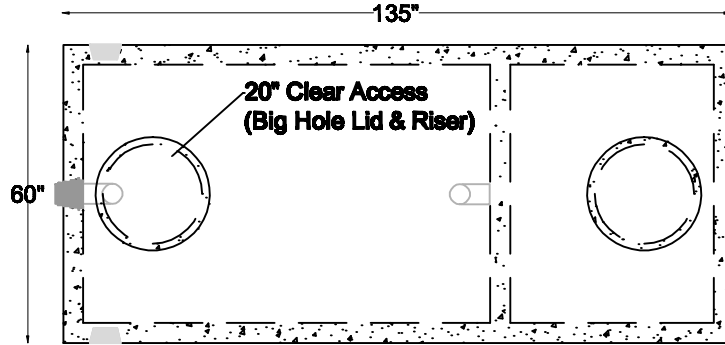


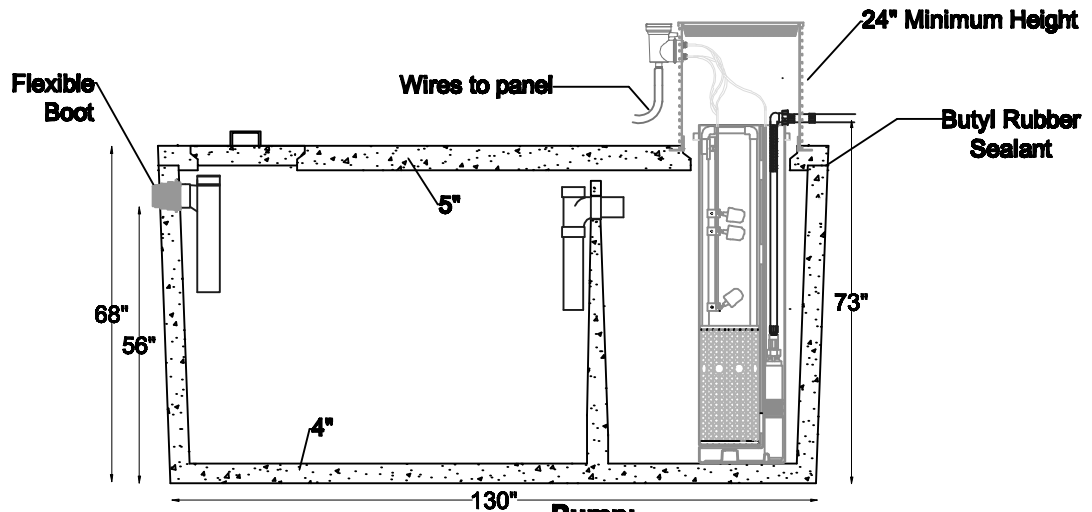
**Item #
1250T-2CP-HH**

1250 Gallon Top Seam Two Compartment with High Head Pump

**Top
View**



**Section
View**



Tank:

- ***Meets ASTM C-1227 spec including C-1644-06 for resilient connectors**
- 4000 psi concrete
- Delivered complete with internal piping

Service contracts available for maintenance

Pump:

- Lowers TSS and improves effluent quality to field
- Easiest pump system to maintain on the market
- Complete installation (wiring, panel, mounting and start-up procedures)
- Complete warranty

Digging Specs	Invert		Dimensions			Net Capacity		
	Inlet	Outlet	Length	Width	Height	Inlet Side	Outlet Side	Total
13' Long x 7' Wide 56" below inlet invert	56"	73"	135"	60"	92"	843 gallons	416 gallons	1,259 gallons

Net Weight		
Lid	Tank	Total
3,120 lbs	10,860 lbs	14,200 lbs



**Water &
Wastewater**

- Systems
- Products
- Service

(719) 395-6764

Fax: (719) 395-3727

Website: www.valleyprecast.com

Email: frontdesk@valleyprecast.com

**28005 Co. Rd. 317
P.O. Box 925
Buena Vista, CO 81211**