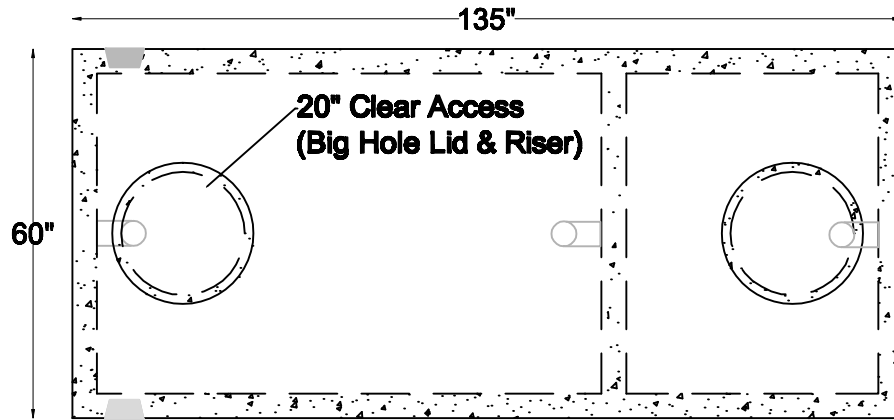


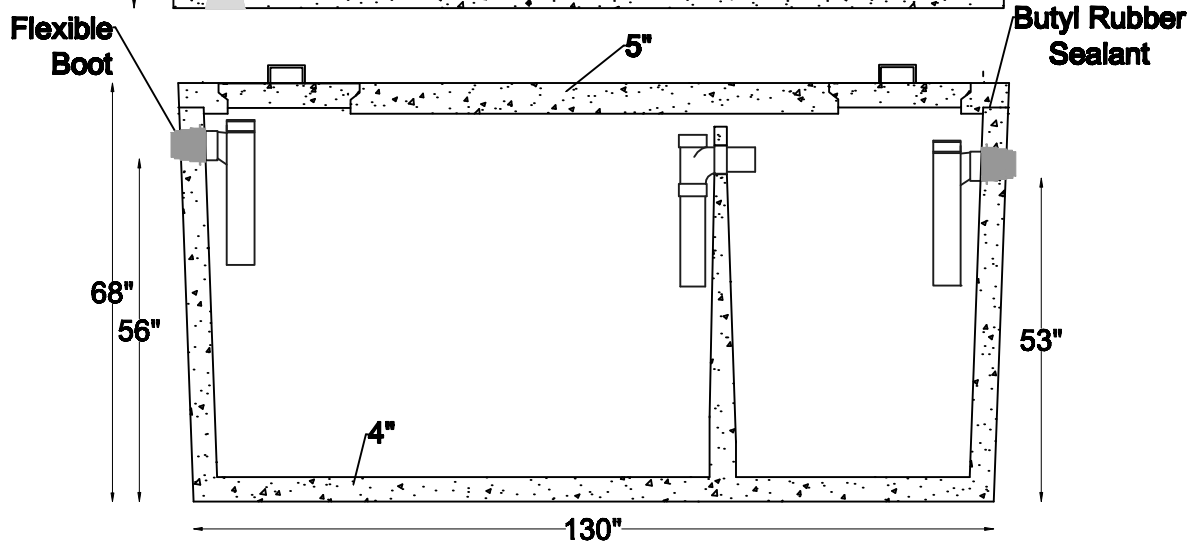
**Item #
1250T-2CP**

1250 Gallon Top Seam Two Compartment

**Top
View**



**Section
View**



***Meets ASTM C-1227 spec including C-1644-06 for resilient connectors**

- 4000 psi concrete
- Delivered complete with internal piping
- PVC, poly or concrete risers available
- Option of pump or siphon installed

Digging Specs	Invert		Dimensions		
13' Long x 7' Wide 56" below inlet invert	Inlet 56"	Outlet 53"	Length 135"	Width 60"	Height 68"

Net Capacity		
Inlet Side 843 gallons	Outlet Side 416 gallons	Total 1,259 gallons

Net Weight		
Lid 3,120 lbs	Tank 10,880 lbs	Total 14,000 lbs



**Water &
Wastewater**

- Systems
- Products
- Service

(719) 395-6764

Fax: (719) 395-3727

Website: www.valleyprecast.com

Email: frontdesk@valleyprecast.com

28005 Co. Rd. 317
P.O. Box 925
Buena Vista, CO 81211