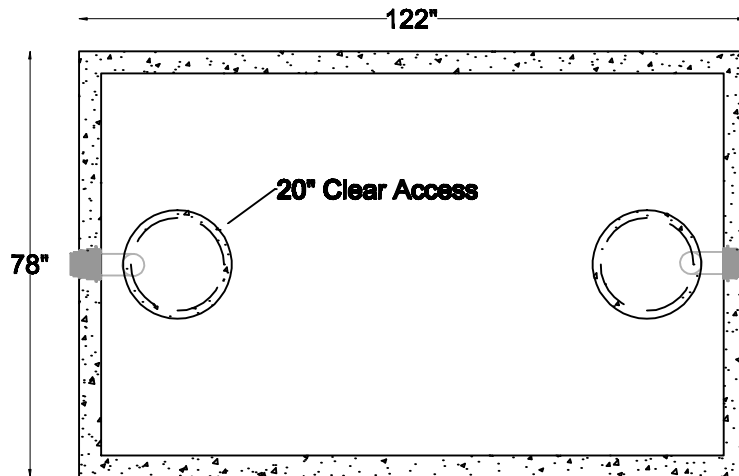


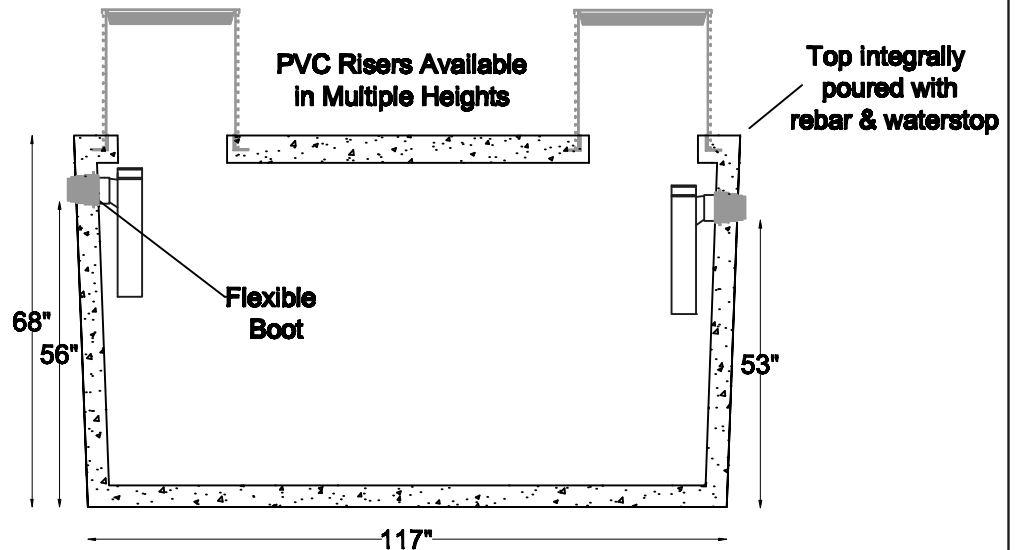
**Item #
1500G-1CP**

The Guardian™ SeamLESS Tank 1500 Gallon One Compartment

Top View



Section View



***Exceeds ASTM C-1227 spec including C-1644-06 for resilient connectors**

- 4000 psi concrete
- Delivered complete with internal piping
- PVC risers required
- Option of pump or siphon installed

**Special delivery instructions apply.
Made to order - This is not a stocked inventory item.**

Digging Specs	Invert		Dimensions		
12' Long x 8' Wide	Inlet	Outlet	Length	Width	Height
56" below inlet invert	56"	53"	122"	78"	68"

Net Capacity	Net Weight
1,559 gallons	15,400 lbs



**Water &
Wastewater**

- Systems
- Products
- Service

(719) 395-6764

Fax: (719) 395-3727

Website: www.valleyprecast.com

Email: frontdesk@valleyprecast.com

28005 Co. Rd. 317
P.O. Box 925
Buena Vista, CO 81211