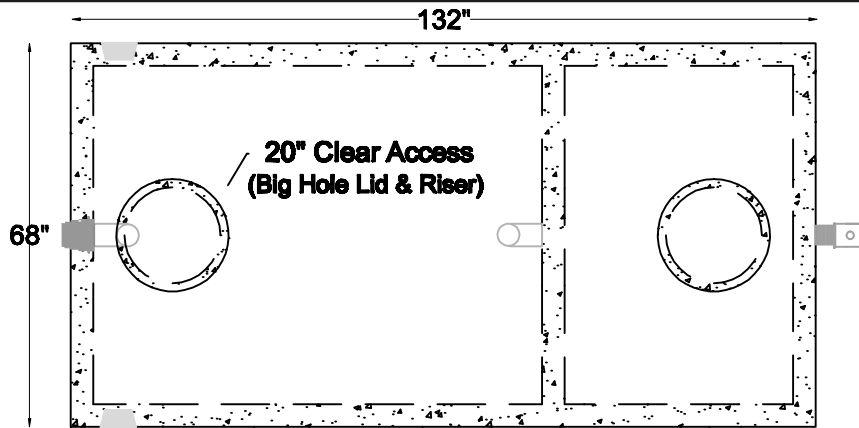


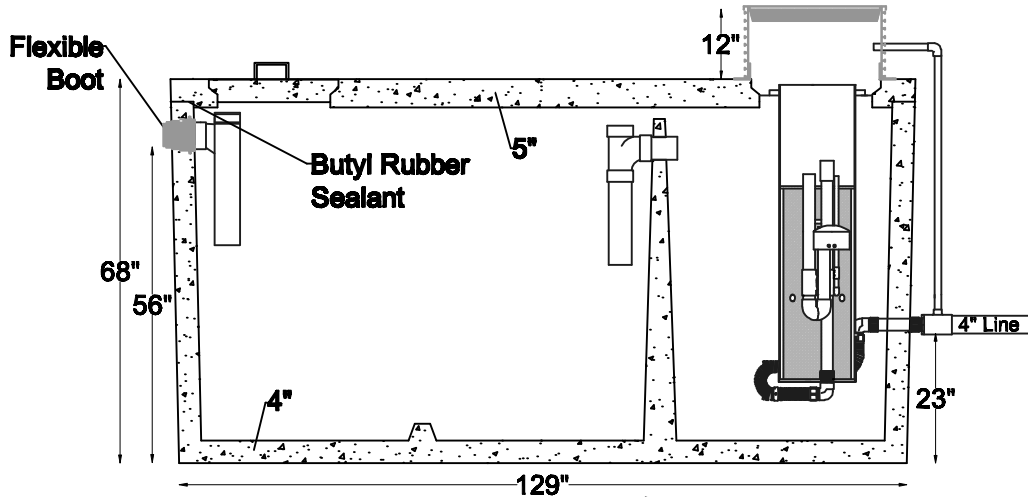
**Item #
1500T-2CP-D2**

1500 Gallon Top Seam Two Compartment with 200 Series Dosing Siphon

Top View



Section View



Tank:

***Meets ASTM C-1227 spec including C-1644-06 for resilient connectors**

- 4000 psi concrete
- Delivered complete with internal piping

Siphon:

- All siphons have removable screens
- No moving parts
- Completely non-corrosive

Digging Specs	Invert		Dimensions			Net Capacity		
	Inlet	Outlet	Length	Width	Height	Inlet Side	Outlet Side	Total
15' Long x 8' Wide 56" below inlet invert	56"	23"	132"	68"	80"	1,002 gallons	503 gallons	1,505 gallons

Net Weight		
Lid	Tank	Total
3,600 lbs	11,180 lbs	14,830 lbs



Water & Wastewater

- Systems
- Products
- Service

(719) 395-6764

Fax: (719) 395-3727

Website: www.valleyprecast.com

Email: frontdesk@valleyprecast.com

28005 Co. Rd. 317

P.O. Box 925

Buena Vista, CO 81211