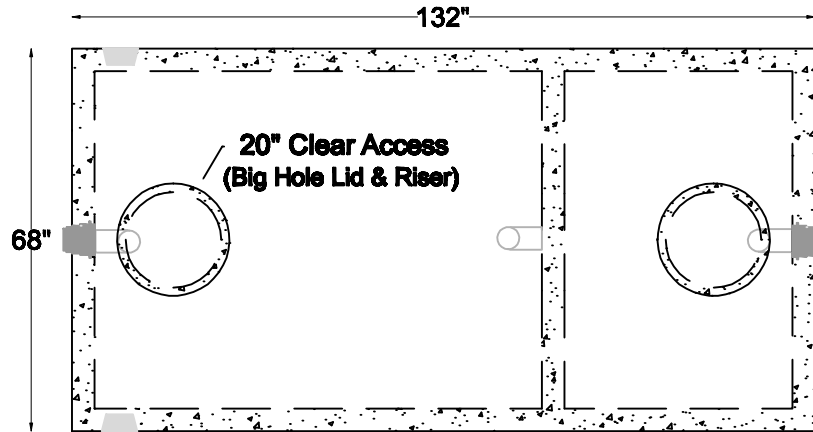


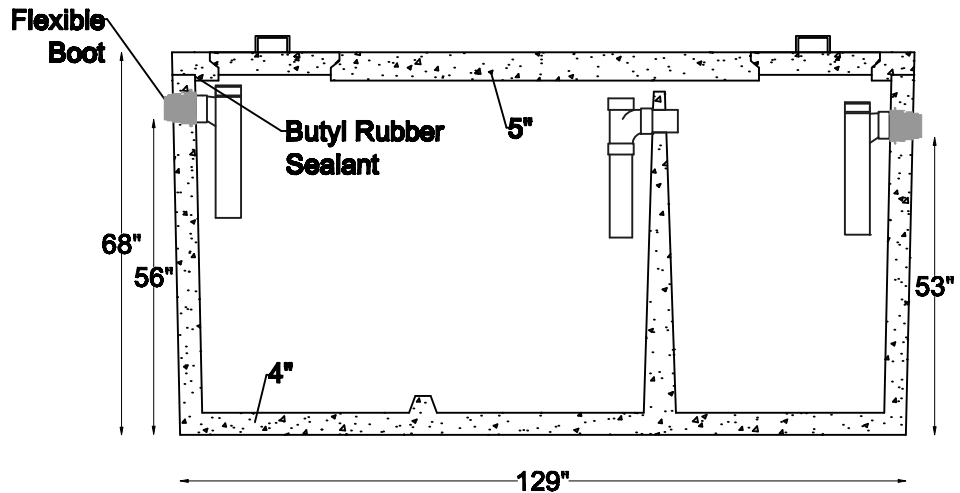
**Item #
1500T-2CP**

1500 Gallon Top Seam Two Compartment

**Top
View**



**Section
View**



***Meets ASTM C-1227 spec including C-1644-06 for resilient connectors**

- 4000 psi concrete
- Delivered complete with internal piping
- PVC, poly or concrete risers available
- Option of pump or siphon installed

Digging Specs		Invert		Dimensions		
13' Long x 8' Wide	Inlet	Outlet	Length	Width	Height	
56" below inlet invert	56"	53"	132"	68"	68"	

Net Capacity		
Inlet Side	Outlet Side	Total
1,002 gallons	503 gallons	1,505 gallons

Net Weight		
Lid	Tank	Total
3,600 lbs	11,180 lbs	14,780 lbs



**Water &
Wastewater**

- Systems
- Products
- Service

(719) 395-6764

Fax: (719) 395-3727

Website: www.valleyprecast.com

Email: frontdesk@valleyprecast.com

28005 Co. Rd. 317
P.O. Box 925
Buena Vista, CO 81211