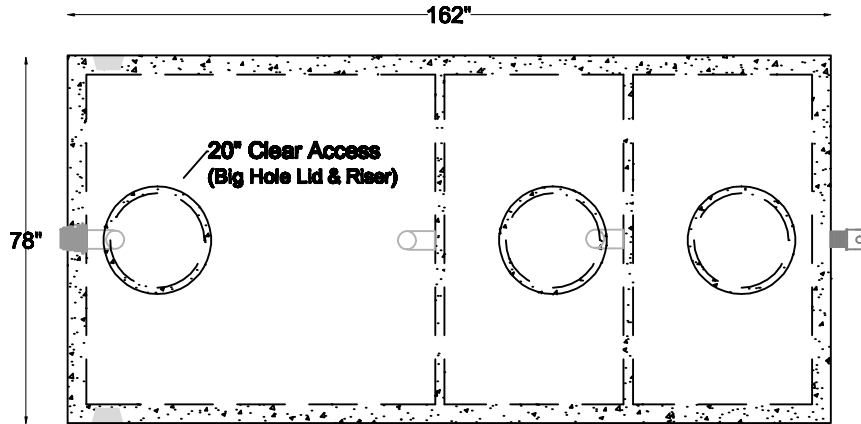


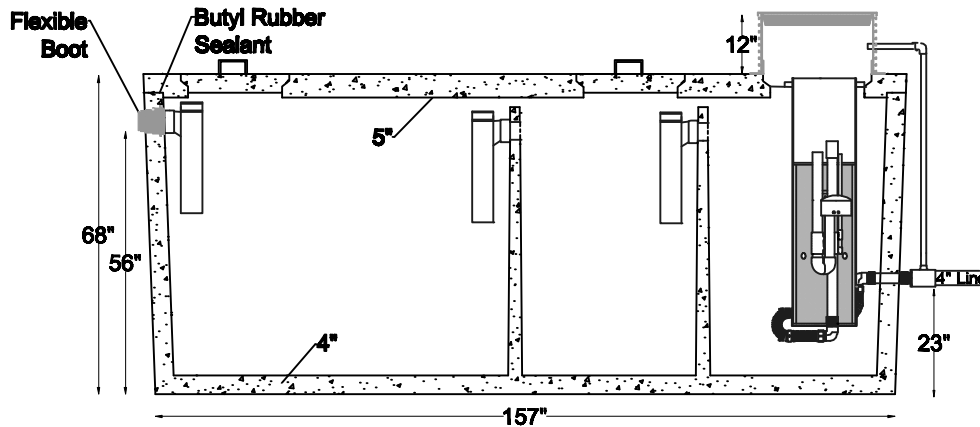
**Item #  
1500T-3CP-D2**

# 1500 Gallon Top Seam Three Compartment with 200 Series Dosing Siphon

**Top View**



**Section View**



**Tank:**

- \*Meets ASTM C-1227 spec including C-1644-06 for resilient connectors
- 4000 psi concrete
- Delivered complete with internal piping

**Siphon:**

- All siphons have removable screens
- Low maintenance
- No moving parts
- Completely non-corrosive

Digging Specs	Invert		Dimensions		
15' Long x 8' Wide 56" below inlet invert	Inlet 56"	Outlet 23"	Length 162"	Width 78"	Height 80"

Net Capacity				Net Weight		
Inlet Side	Middle	Outlet Side	Total	Lid	Tank	Total
1,016 gallons	505 gallons	505 gallons	2,026 gallons	5,420 lbs	16,240 lbs	21,710 lbs



**Water &  
Wastewater**

- Systems
- Products
- Service

**(719) 395-6764**

**Fax: (719) 395-3727**

**Website: [www.valleyprecast.com](http://www.valleyprecast.com)**

**Email: [frontdesk@valleyprecast.com](mailto:frontdesk@valleyprecast.com)**

**28005 Co. Rd. 317  
P.O. Box 925  
Buena Vista, CO 81211**