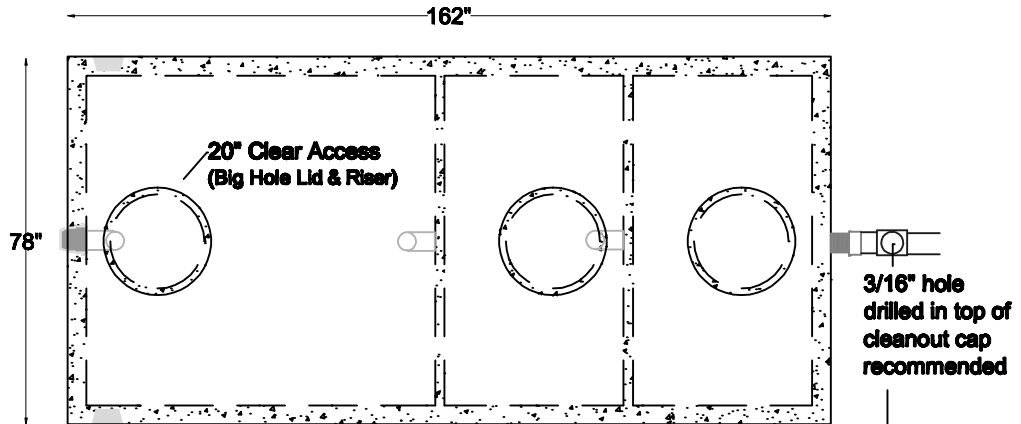


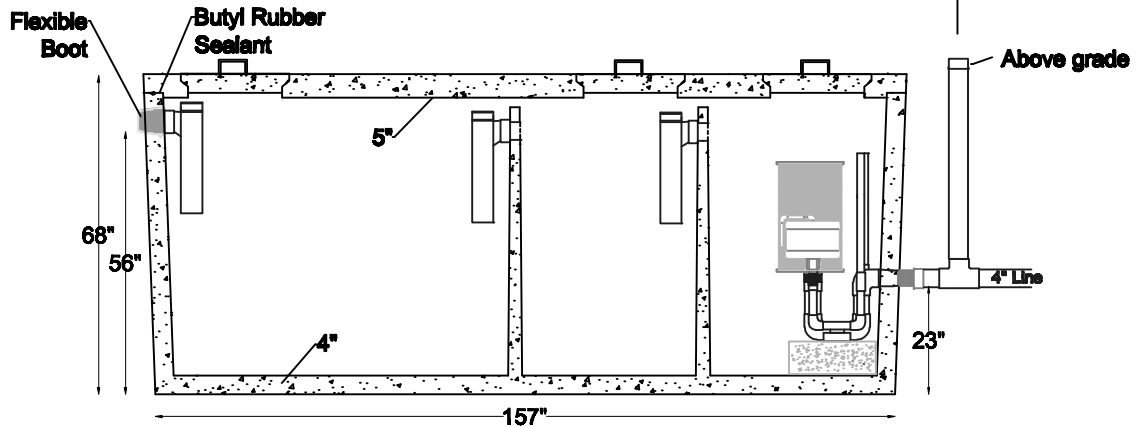
**Item #
1500T-3CP-D3**

1500 Gallon Top Seam Three Compartment with 300 Series Dosing Siphon

Top View



Section View



Tank:

- *Meets ASTM C-1227 spec including C-1644-06 for resilient connectors
- 4000 psi concrete
- Delivered complete with internal piping

Siphon:

- All siphons have removable screens
- Low maintenance
- No moving parts
- Completely non-corrosive

Digging Specs	Invert		Dimensions		
15' Long x 8' Wide	Inlet	Outlet	Length	Width	Height
56" below inlet invert	56"	23"	162"	78"	68"

Net Capacity				Net Weight		
Inlet Side	Middle	Outlet Side	Total	Lid	Tank	Total
1,016 gallons	505 gallons	505 gallons	2,026 gallons	5,420 lbs	16,240 lbs	21,710 lbs



**Water &
Wastewater**

- Systems
- Products
- Service

(719) 395-6764

Fax: (719) 395-3727

Website: www.valleyprecast.com

Email: frontdesk@valleyprecast.com

28005 Co. Rd. 317
P.O. Box 925
Buena Vista, CO 81211