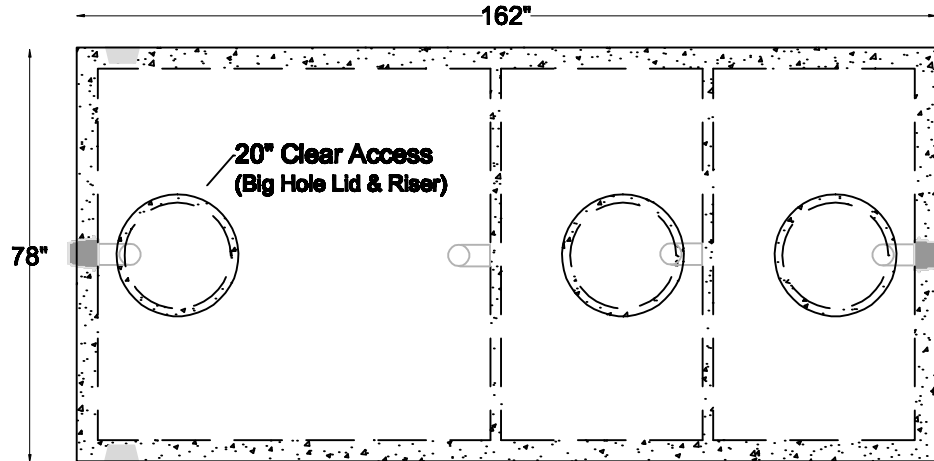


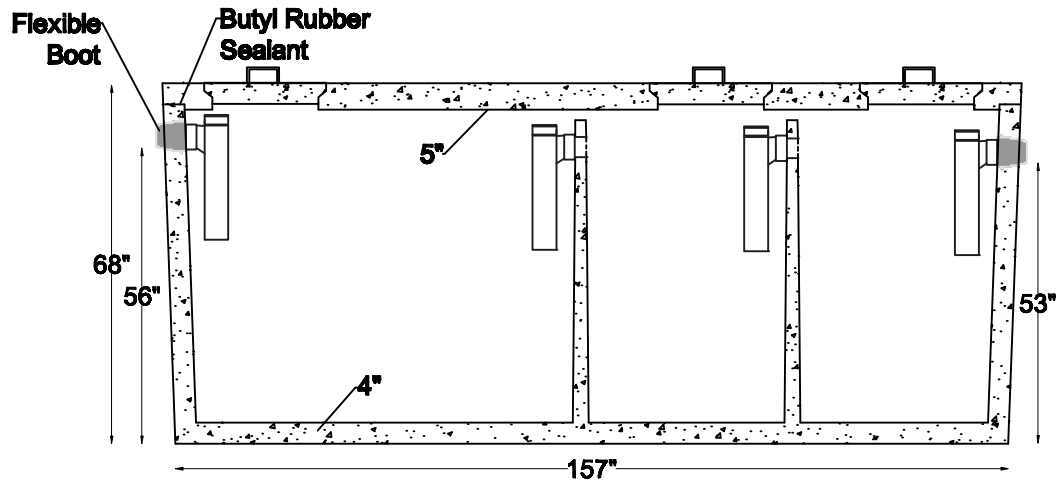
**Item #
1500T-3CP**

**1500 Gallon Top Seam
Three Compartment
(2000 Gallon Total Volume)**

Top View



Section View



***Meets ASTM C-1227 spec including C-1644-06 for resilient connectors**

- 4000 psi concrete
- Delivered complete with internal piping
- PVC, poly or concrete risers available
- Option of pump or siphon installed

Digging Specs	Invert		Dimensions		
15' Long x 8' Wide	Inlet	Outlet	Length	Width	Height
56" below Inlet Invert	56"	53"	162"	78"	68"

Net Capacity			
Inlet Side	Middle	Outlet Side	Total
1,016 gallons	505 gallons	505 gallons	2,026 gallons

Net Weight		
Lid	Tank	Total
5,420 lbs	16,240 lbs	21,660 lbs



**Water &
Wastewater**

- Systems
- Products
- Service

(719) 395-6764

Fax: (719) 395-3727

Website: www.valleyprecast.com

Email: frontdesk@valleyprecast.com

28005 Co. Rd. 317

P.O. Box 925

Buena Vista, CO 81211