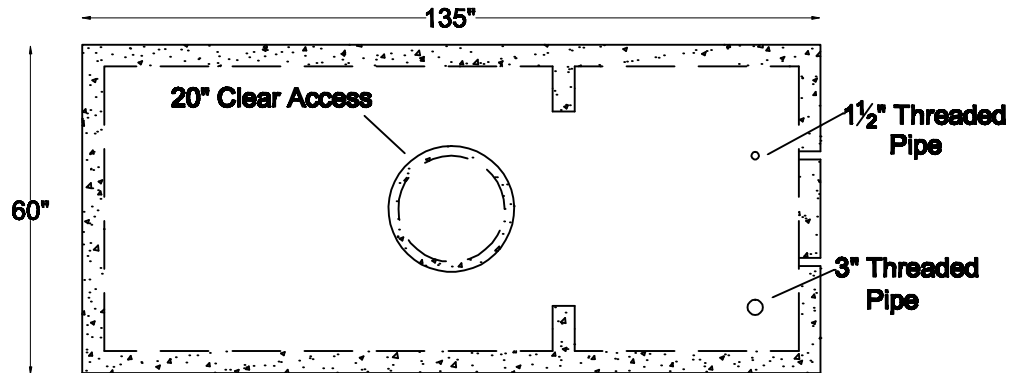


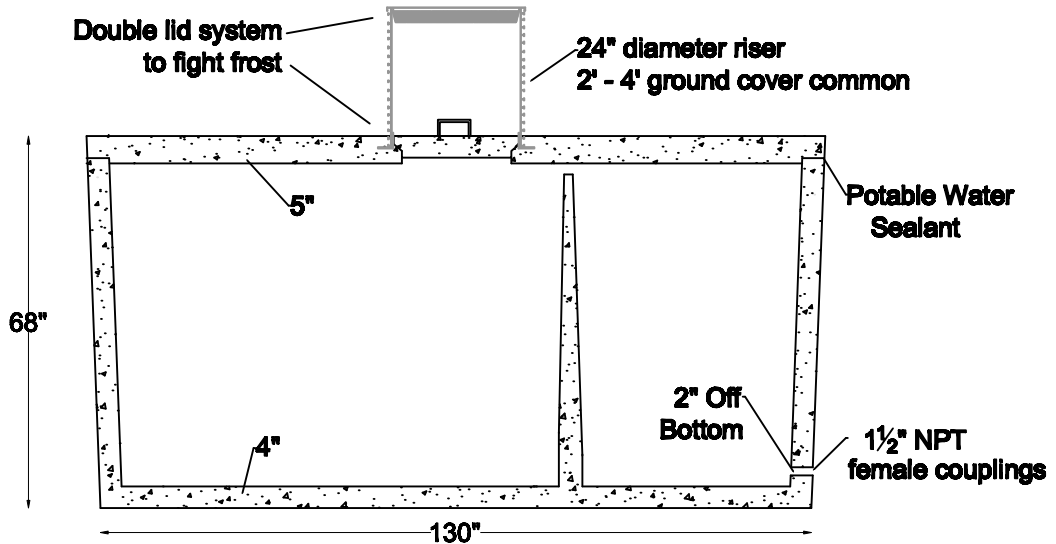
**Item #  
1500T-CIS**

# 1500 Gallon Top Seam Potable Water Cistern

**Top  
View**



**Section  
View**



- Meets or exceeds ASTM C-913 spec for water structure
- 4000 psi concrete
- Durable galvanized NPT threaded 3" fill line and 1 1/2" universal on top
- Two 1 1/2" brass NPT universal low entries
- Primary lightweight sealed lid with secondary lid for heater placement

Digging Specs		Dimensions		
13' Long x 7' Wide	Length	Width	Height	
2 - 4' Cover Standard	135"	60"	68"	

Net Capacity	Net Weight		
	Lid	Tank	Total
1,578 gallons	3,120 lbs	10,110 lbs	13,230 lbs



**Water &  
Wastewater**

- Systems
- Products
- Service

**(719) 395-6764**

**Fax: (719) 395-3727**

**Website: [www.valleyprecast.com](http://www.valleyprecast.com)**

**Email: [frontdesk@valleyprecast.com](mailto:frontdesk@valleyprecast.com)**

28005 Co. Rd. 317  
P.O. Box 925  
Buena Vista, CO 81211