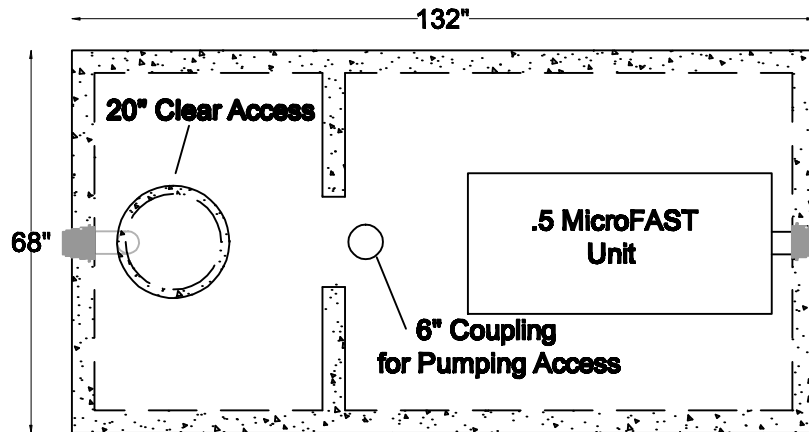


**Item #
1500T-FAST.5**

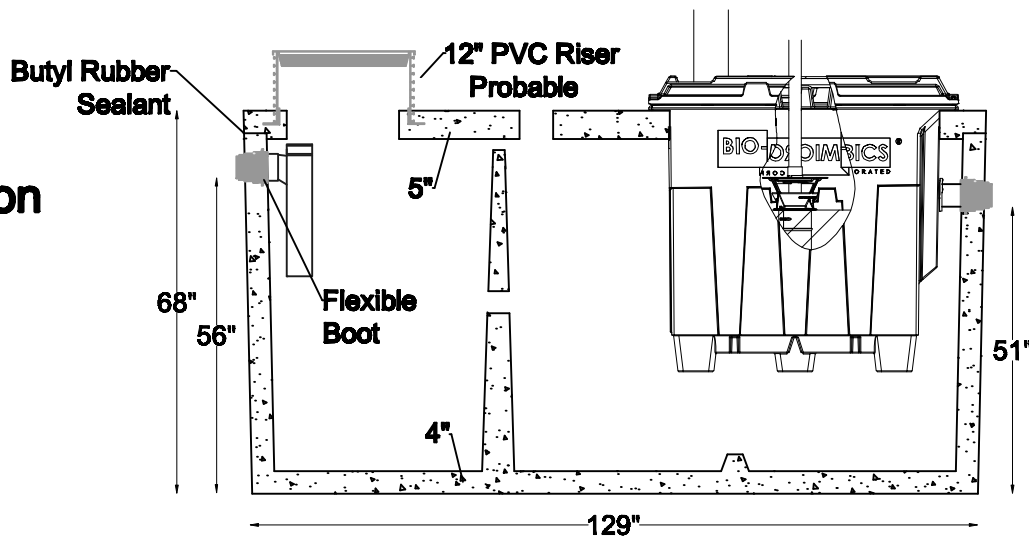
1500 Gallon Top Seam for MicroFAST .5 Unit

(Up to 3 Bedrooms)

**Top
View**



**Section
View**



***Meets ASTM C-1227 spec including C-1644-06 for resilient connectors**

- 4000 psi concrete
- Complete system installation available in some areas

Digging Specs	Invert		Dimensions		
13' Long x 8' Wide	Inlet	Outlet	Length	Width	Height
56" below inlet invert	56"	51"	132"	68"	80"

Net Capacity		
Inlet Side	Outlet Side	Total
505 gallons	1,002 gallons	1,505 gallons

Net Weight		
Lid	Tank	Total
3,060 lbs	11,180 lbs	14,240 lbs



MicroFAST 0.50 FAST Unit



**Water &
Wastewater**

- Systems
- Products
- Service

(719) 395-6764

Fax: (719) 395-3727

Website: www.valleyprecast.com

Email: frontdesk@valleyprecast.com

28005 Co. Rd. 317

P.O. Box 925

Buena Vista, CO 81211