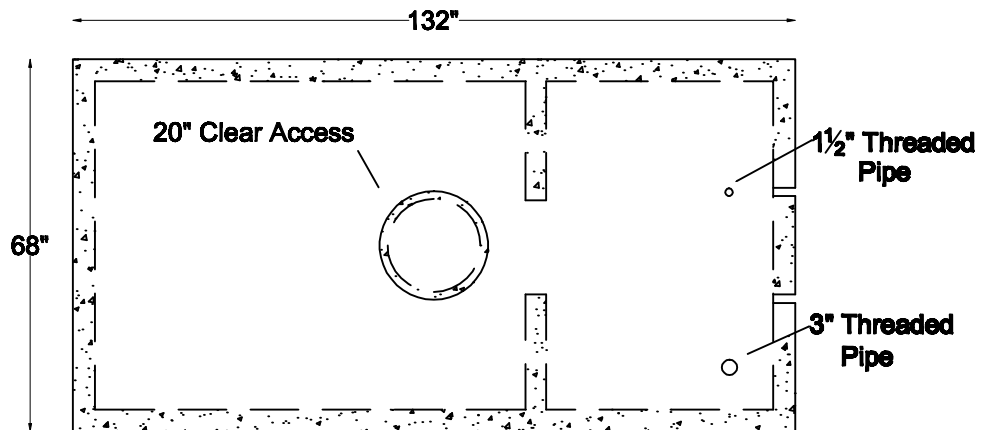


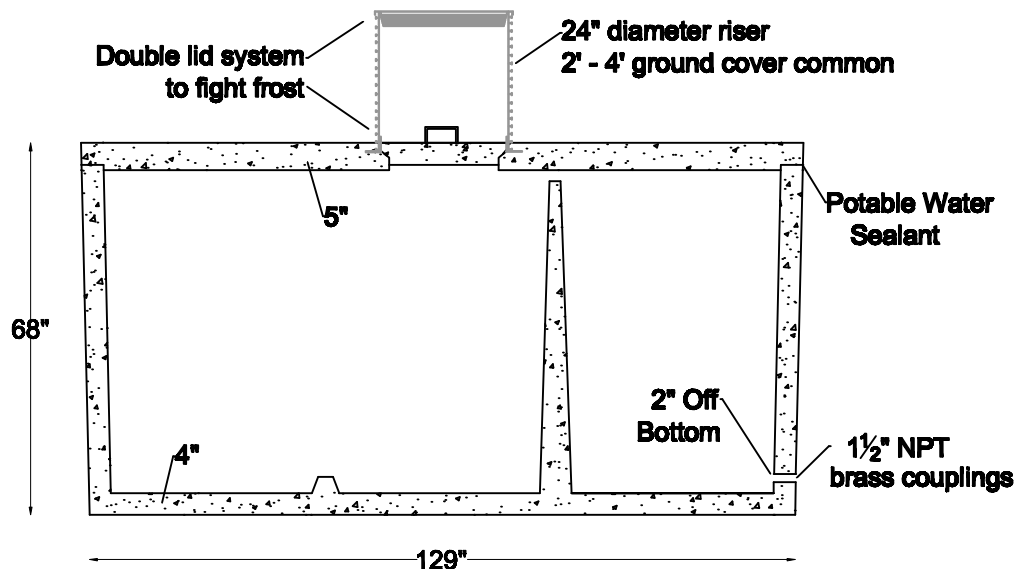
**Item #
1800T-CIS**

1800 Gallon Top Seam Potable Water Cistern

**Top
View**



**Section
View**



- Meets or exceeds ASTM C-913 spec for water structure
- 4000 psi concrete
- Durable galvanized NPT threaded 3" fill line and 1 1/2" universal on top
- Two 1 1/2" brass NPT universal low entries
- Primary lightweight sealed lid with secondary lid for heater placement

Digging Specs		Dimensions		
13' Long x 7' Wide	2 - 4' Cover Standard	Length 132"	Width 68"	Height 68"

Net Capacity	Net Weight		
	Lid	Tank	Total
1,803 gallons	3,600 lbs	10,760 lbs	14,360 lbs



**Water &
Wastewater**

- Systems
- Products
- Service

(719) 395-6764

Fax: (719) 395-3727

Website: www.valleyprecast.com

Email: frontdesk@valleyprecast.com

**28005 Co. Rd. 317
P.O. Box 925
Buena Vista, CO 81211**