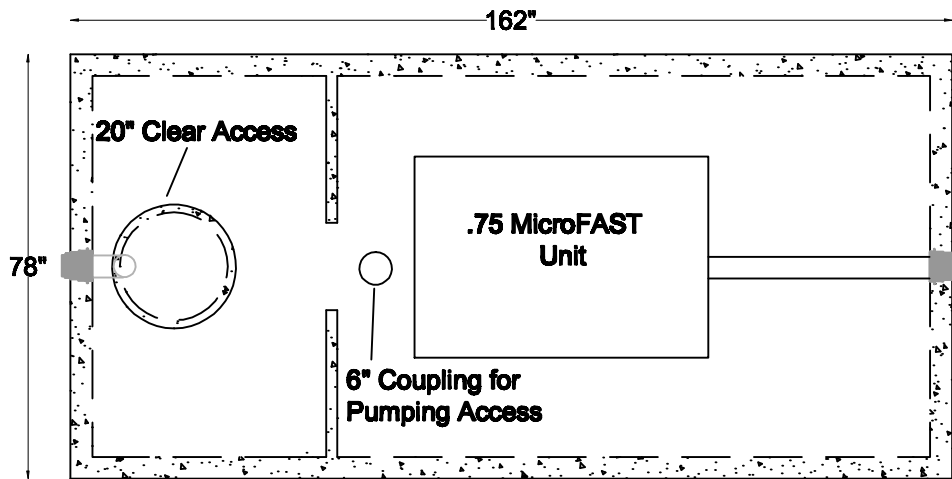


**Item #  
2000T-FAST.75**

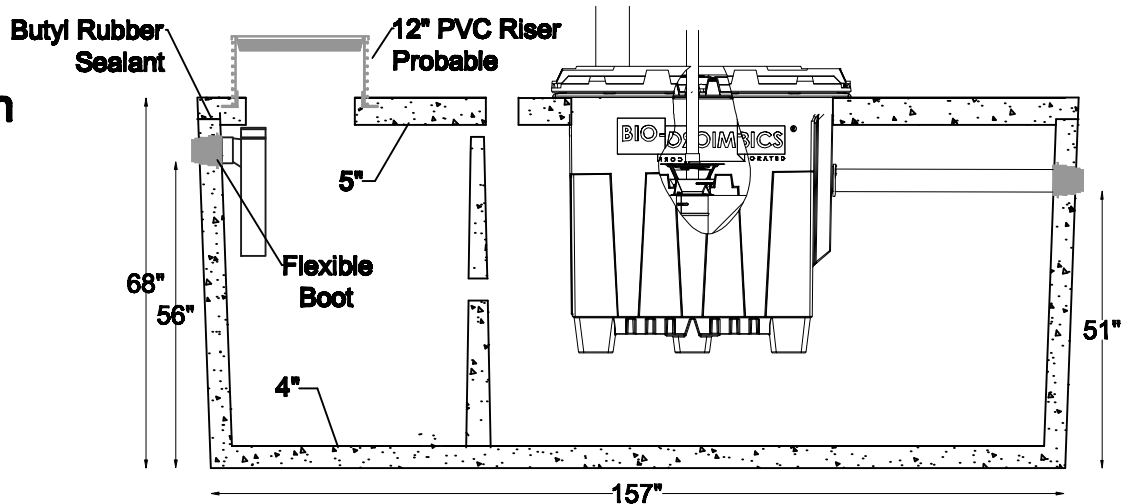
# 2000 Gallon Top Seam for MicroFAST .75 Unit

**(4 - 5 Bedrooms)**

**Top View**



**Section View**



**\*Meets ASTM C-1227 spec including C-1664-06 for resilient connectors**

- 4000 psi concrete
- Delivered complete with internal piping

| Digging Specs      |                        | Invert    |            | Dimensions  |           |            |
|--------------------|------------------------|-----------|------------|-------------|-----------|------------|
| 15' Long x 8' Wide | 56" below inlet invert | Inlet 56" | Outlet 51" | Length 162" | Width 78" | Height 80" |

| Net Capacity              |                              |                        |
|---------------------------|------------------------------|------------------------|
| Inlet Side<br>604 gallons | Outlet Side<br>1,460 gallons | Total<br>2,064 gallons |

| Net Weight       |                    |                     |
|------------------|--------------------|---------------------|
| Lid<br>4,340 lbs | Tank<br>15,530 lbs | Total<br>19,870 lbs |



MicroFAST 0.50 FAST Unit



**Water &  
Wastewater**

- Systems
- Products
- Service

**(719) 395-6764**

**Fax: (719) 395-3727**

**Website: [www.valleyprecast.com](http://www.valleyprecast.com)**

**Email: [frontdesk@valleyprecast.com](mailto:frontdesk@valleyprecast.com)**

**28005 Co. Rd. 317**

**P.O. Box 925**

**Buena Vista, CO 81211**