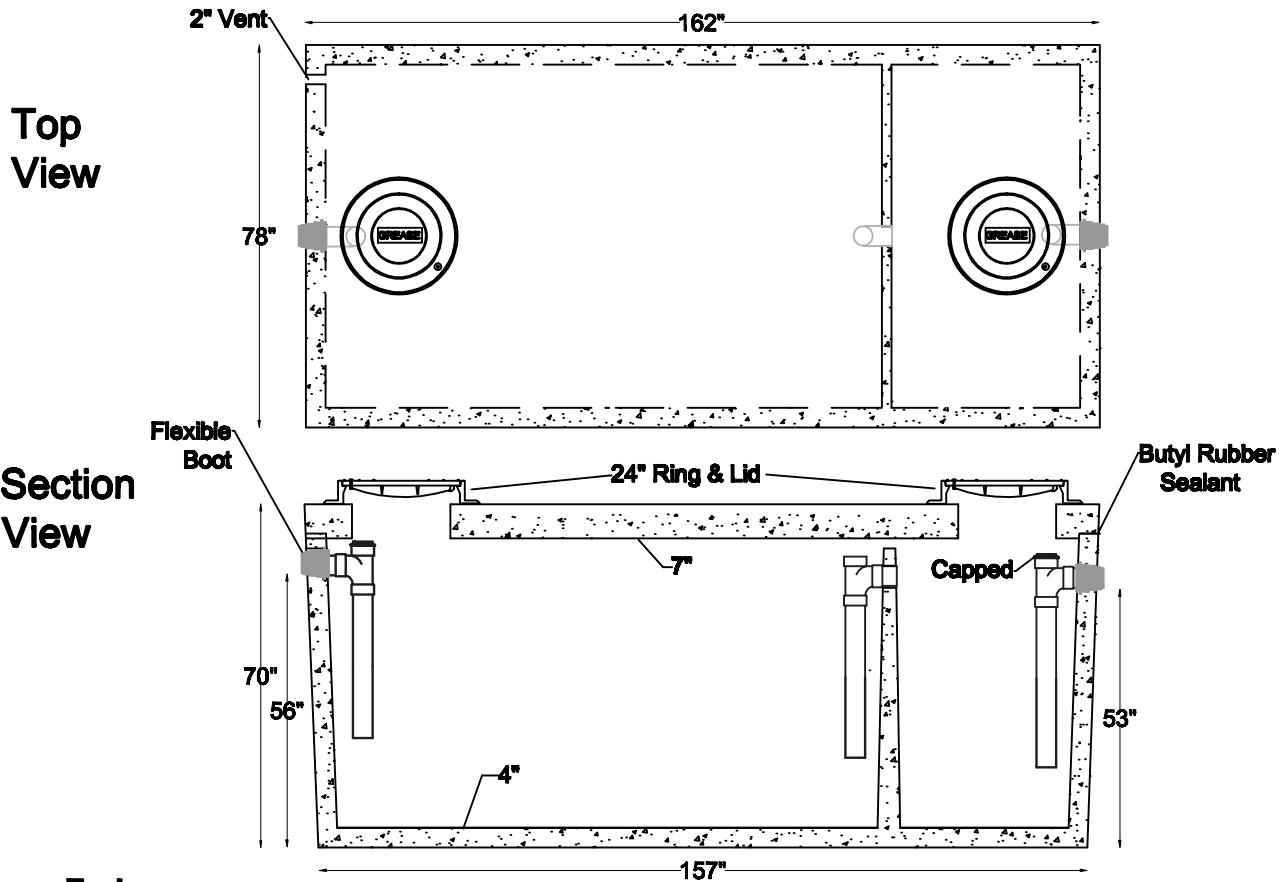


**Item #
2000T-GI**

2000 Gallon Grease Interceptor H-20 Load Rated



Tank:

***Meets ASTM C-1613 spec for Grease Interceptor including the new C-1644-06 for resilient connectors**

- ASSHTO H-20 Load Rated
- 4000 psi concrete
- Includes Cast Iron Ring and Locking Aluminum Lid stamped "Grease"
- Complete with internal piping
- Vents to atmosphere, T's capped

Benefits:

- More efficient grease removal than kitchen units
- Odor & mess eliminated from kitchen

*Optional concrete grade rings available for an additional charge:
2", 4", or 6"*

Digging Specs		Invert		Dimensions		
15" Long x 8" Wide	56" below Inlet Invert	Inlet 56"	Outlet 53"	Length 162"	Width 78"	Height 70"

Net Capacity			Net Weight		
Inlet Side 1,559 gal	Outlet Side 505 gal	Total 2,064 gal	Lid 7,220 lbs	Tank 15,530 lbs	Total 22,750 lbs



Water & Wastewater

- Systems
- Products
- Service

(719) 395-6764

Fax: (719) 395-3727

Website: www.valleyprecast.com

Email: frontdesk@valleyprecast.com

28005 Co. Rd. 317
P.O. Box 925
Buena Vista, CO 81211