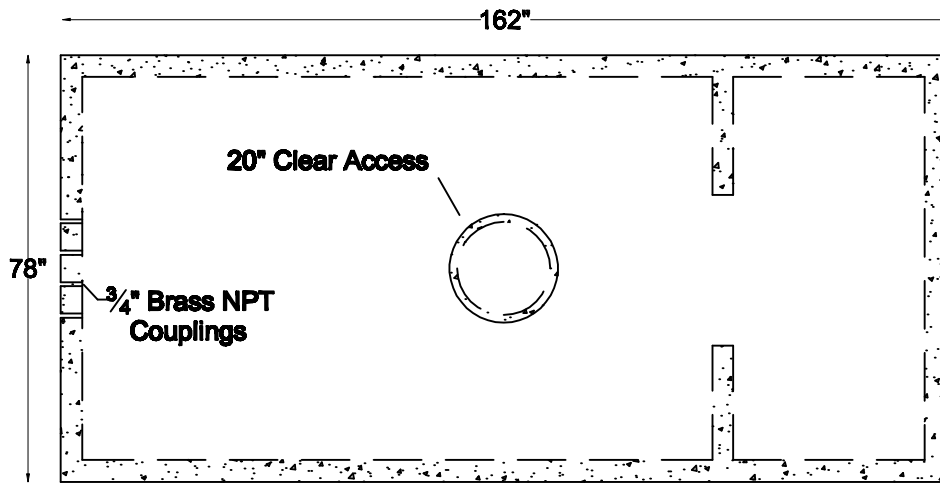


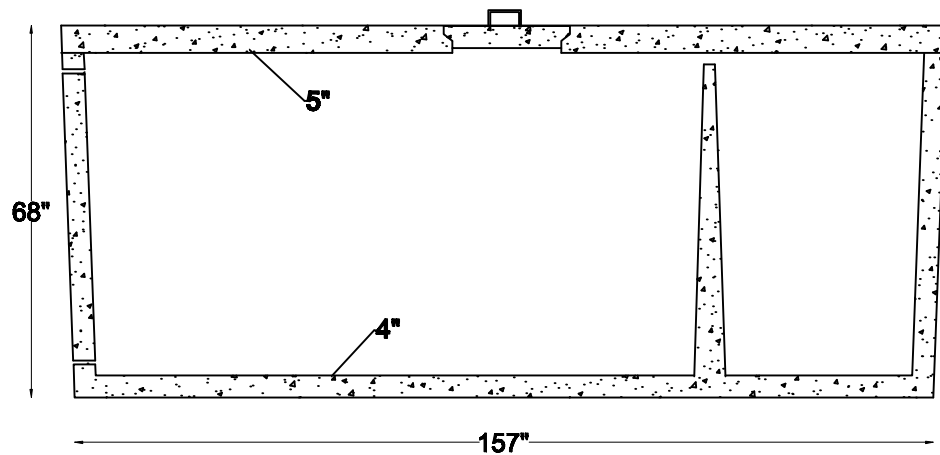
**Item #  
2600T-Solar**

# 2600 Gallon Solar Containment Vessel

**Top  
View**



**Section  
View**



- Meets ASTM C-913-02 specs
- 4000 psi concrete
- Monolithic pour on bottom and top sections
- Complete with eight 3/4" cast in place brass connectors (four on top, four on bottom)
- Good for water temperatures to 350°
- Coatings available for increased temperatures

Digging Specs	Dimensions		
15' Long x 8' Wide	Length 162"	Width 78"	Height 68"

Net Capacity	Net Weight		
	Lid	Tank	Total
2,604 gallons	5,420 lbs	14,760 lbs	20,180 lbs



**Water &  
Wastewater**

- Systems
- Products
- Service

**(719) 395-6764**

**Fax: (719) 395-3727**

**Website: [www.valleyprecast.com](http://www.valleyprecast.com)**

**Email: [frontdesk@valleyprecast.com](mailto:frontdesk@valleyprecast.com)**

**28005 Co. Rd. 317  
P.O. Box 925  
Buena Vista, CO 81211**