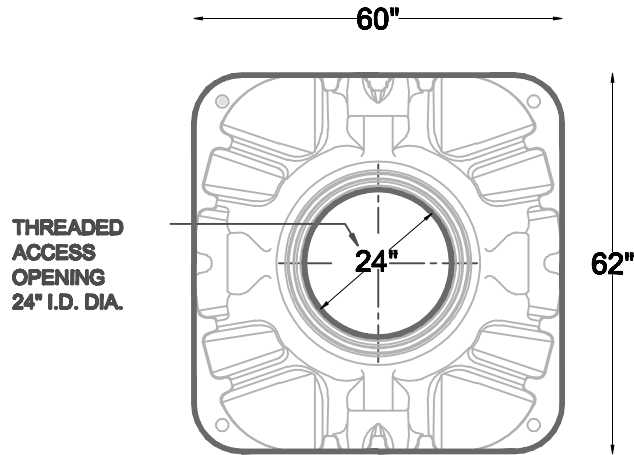


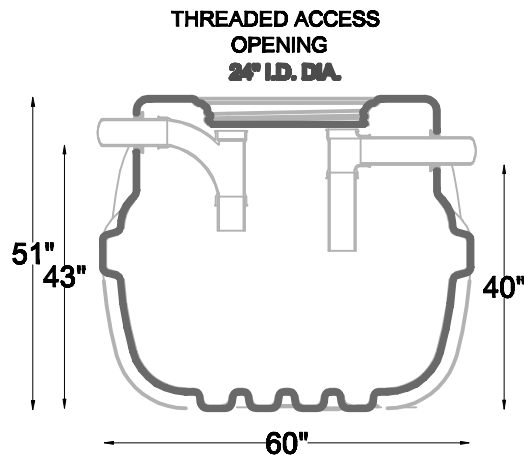
**Item #  
500F**

# 500 Gallon One Compartment FRALO Poly Tank

**Top  
View**



**Section  
View**



- Compliant with CSA and IAPMO Standards
- All resin used is compliant with ASTM D 1248 as required by CSA B66 and IAPMO PS 1-2004e1
- Maximum burial depth is 36"
- Tank is not rated for vehicular traffic loading

Digging Specs	Invert		Dimensions		
7' Long x 7' Wide	Inlet	Outlet	Length	Width	Height
43" below inlet invert	43"	40"	60"	62"	51"

Net Capacity	Total Weight
500 gallons	225 lbs



Tank includes lid  
Risers available on request for an additional charge



**Water &  
Wastewater**

- Systems
- Products
- Service

**(719) 395-6764**

**Fax: (719) 395-3727**

**Website: [www.valleyprecast.com](http://www.valleyprecast.com)**

**Email: [frontdesk@valleyprecast.com](mailto:frontdesk@valleyprecast.com)**

28005 Co. Rd. 317  
P.O. Box 925  
Buena Vista, CO 81211