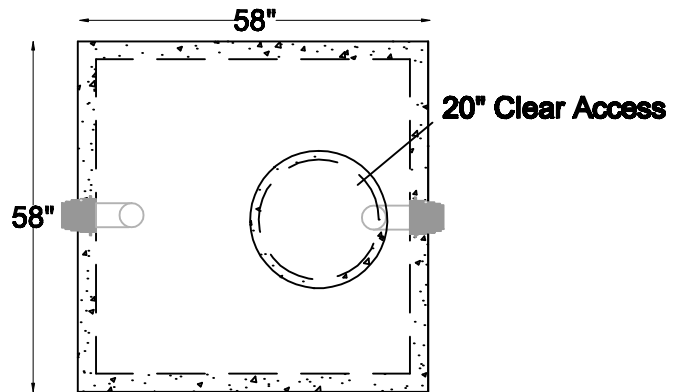


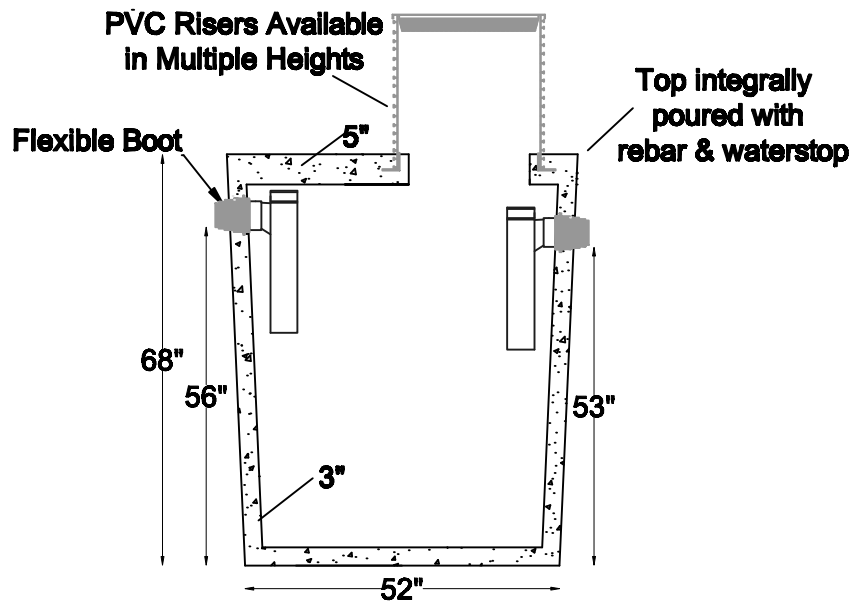
**Item #
500G-1CP**

The Guardian™ SeamLESS Tank 500 Gallon One Compartment

**Top
View**



**Section
View**



Digging Specs	Invert		Dimensions		
7' Long x 7' Wide	Inlet	Outlet	Length	Width	Height
56" below inlet invert	56"	53"	58"	58"	68"

***Exceeds ASTM C-1227 spec including C-1644-06 for resilient connectors**

- 4000 psi concrete
- Delivered complete with internal piping
- PVC risers required
- Option of pump or siphon installed

Net Capacity	Net Weight
522 gallons	5,440 lbs

Special delivery instructions apply.

Made to order - This is not a stocked inventory item.



**Water &
Wastewater**

- Systems
- Products
- Service

(719) 395-6764

Fax: (719) 395-3727

Website: www.valleyprecast.com

Email: frontdesk@valleyprecast.com

28005 Co. Rd. 317

P.O. Box 925

Buena Vista, CO 81211