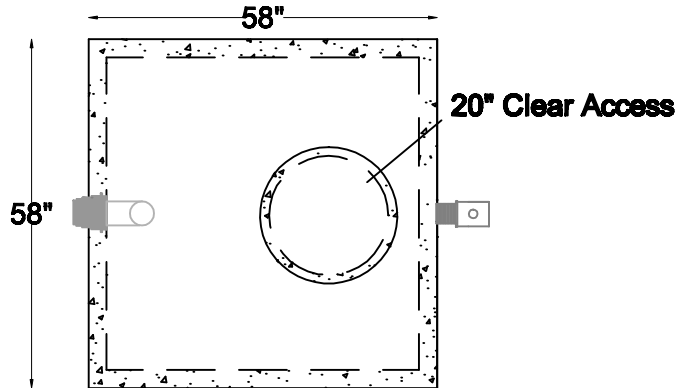


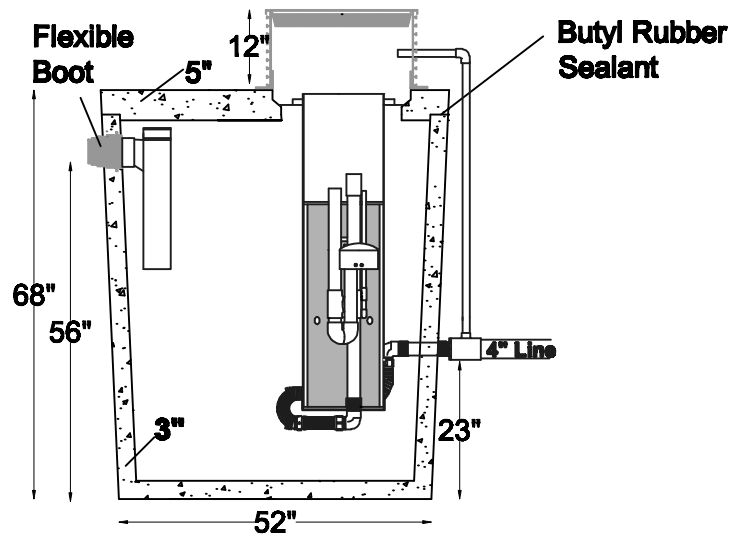
**Item #  
500T-D2**

# 500 Gallon Top Seam with 200 Series Dosing Siphon

**Top  
View**



**Section  
View**



**Tank:**

**\*Meets ASTM C-1227 spec including C-1644-06 for resilient connectors**

- 4000 psi concrete
- Delivered complete with internal piping

**Siphon:**

- All siphons have removable screens
- Low maintenance
- No moving parts
- Completely non-corrosive

Digging Specs	Invert		Dimensions			Net Capacity	Net Weight		
	Inlet	Outlet	Length	Width	Height		Lid	Tank	Total
7' Long x 7' Wide 56" below inlet invert	Inlet 56"	Outlet 23"	Length 58"	Width 58"	Height 80"	522 gallons	1,340 lbs	4,100 lbs	5,490 lbs



**Water & Wastewater**

- Systems
- Products
- Service

**(719) 395-6764**

**Fax: (719) 395-3727**

**Website: [www.valleyprecast.com](http://www.valleyprecast.com)**

**Email: [frontdesk@valleyprecast.com](mailto:frontdesk@valleyprecast.com)**

28005 Co. Rd. 317

P.O. Box 925

Buena Vista, CO 81211