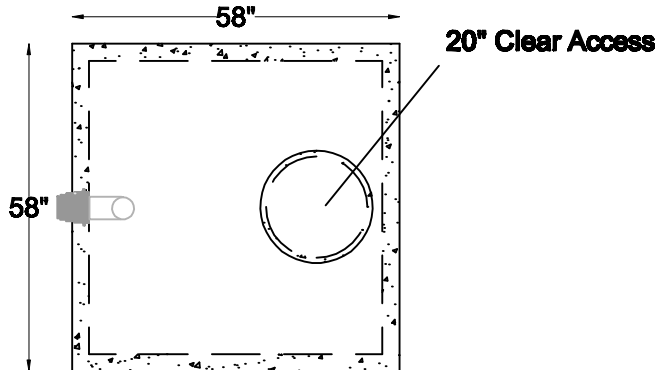


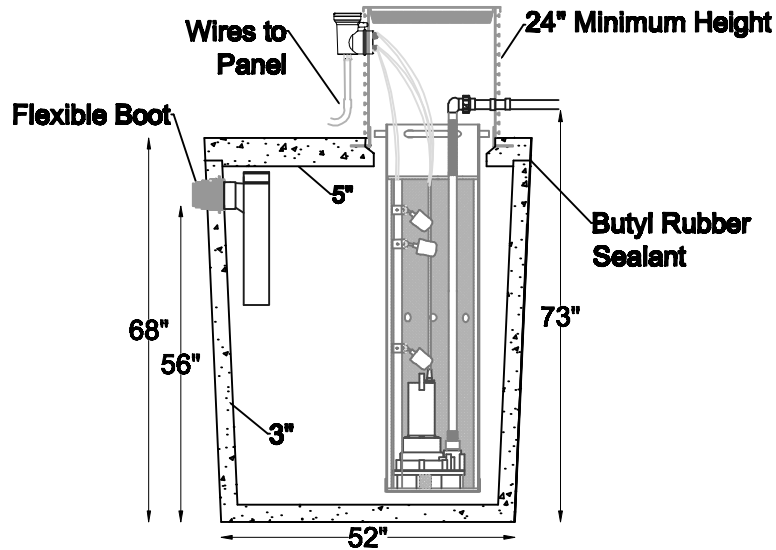
**Item #
500T-LH**

500 Gallon Top Seam with Low Head Pump

**Top
View**



**Section
View**



Tank:

*Meets ASTM C-1227 spec including C-1644-06 for resilient connectors

- 4000 psi concrete
- Delivered complete with internal piping

Service contracts available for maintenance.

Pump:

- Lowers TSS and improves effluent quality to field
- Complete installation (wiring, panel, mounting and start-up procedures)
- Complete warranty

Digging Specs	Invert		Dimensions			Net Capacity	Net Weight		
	Inlet	Outlet	Length	Width	Height		Lid	Tank	Total
7' Long x 7' Wide 56" below inlet invert	56"	73"	58"	58"	92"	522 gallons	1,340 lbs	4,100 lbs	5,640 lbs



**Water &
Wastewater**

- Systems
- Products
- Service

(719) 395-6764

Fax: (719) 395-3727

Website: www.valleyprecast.com

Email: frontdesk@valleyprecast.com

28005 Co. Rd. 317

P.O. Box 925

Buena Vista, CO 81211