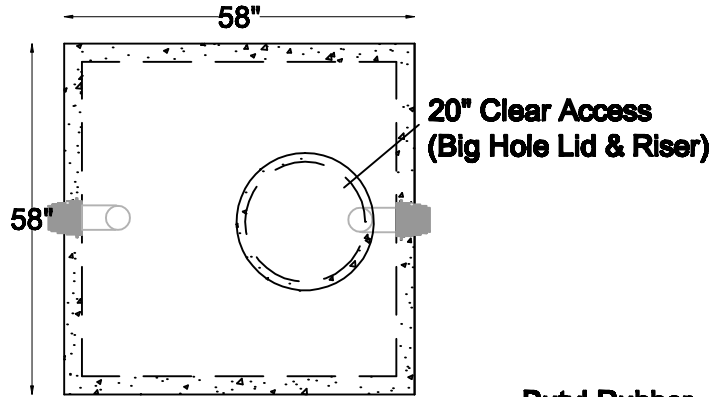


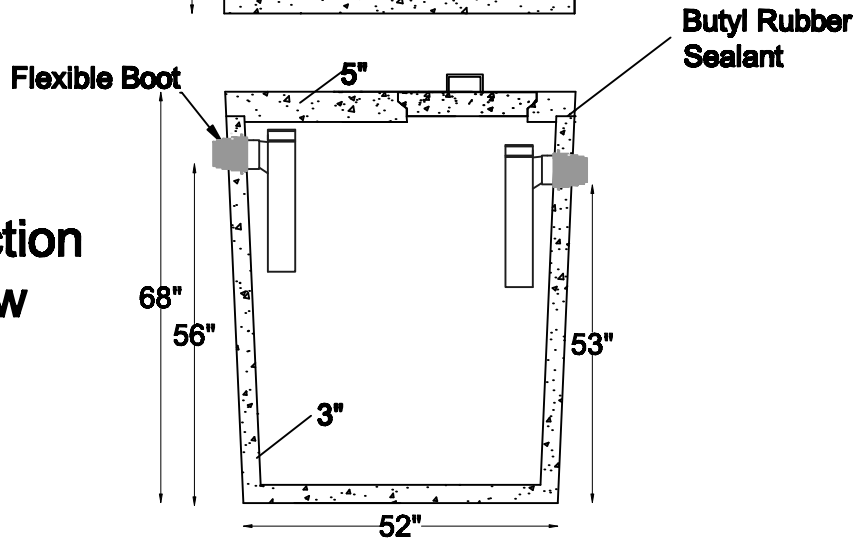
**Item #
500T**

500 Gallon Top Seam One Compartment

Top View



Section View



***Meets ASTM C-1227 spec including C-1644-06 for resilient connectors**

- 4000 psi concrete
- Delivered complete with internal piping
- PVC, poly or concrete risers available
- Option of pump or siphon installed

Digging Specs	Invert		Dimensions		
7' Long x 7' Wide 56" below inlet invert	Inlet 56"	Outlet 53"	Length 58"	Width 58"	Height 68"

Net Capacity	Net Weight		
	Lid	Tank	Total
522 gallons	1,340 lbs	4,100 lbs	5,440 lbs



**Water &
Wastewater**

- Systems
- Products
- Service

(719) 395-6764

Fax: (719) 395-3727

Website: www.valleyprecast.com

Email: frontdesk@valleyprecast.com

28005 Co. Rd. 317

P.O. Box 925

Buena Vista, CO 81211