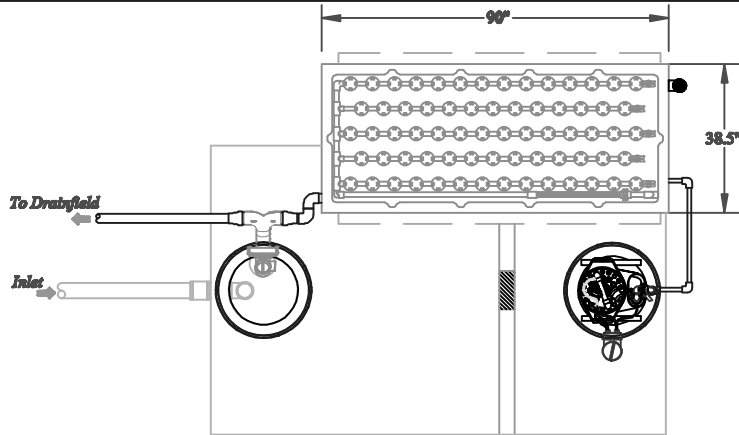


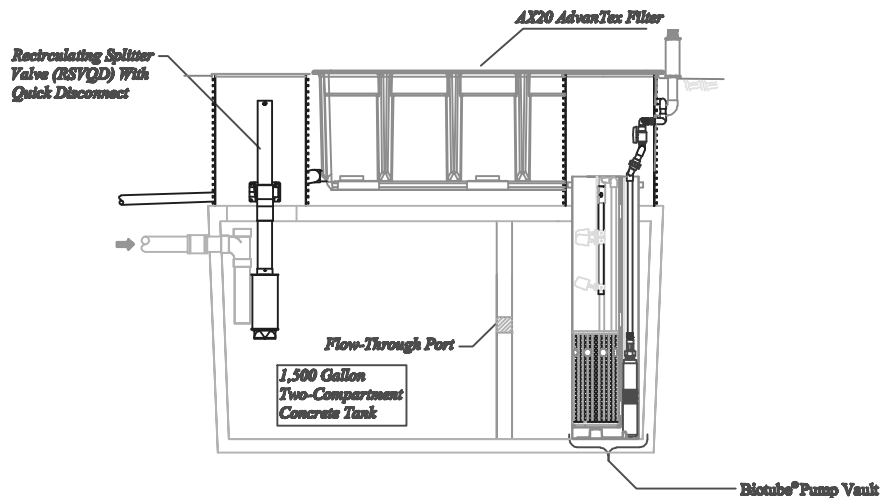
**Item #  
AX20-3A**

# AdvanTex™ Treatment System AX20 Series - Mode 3A

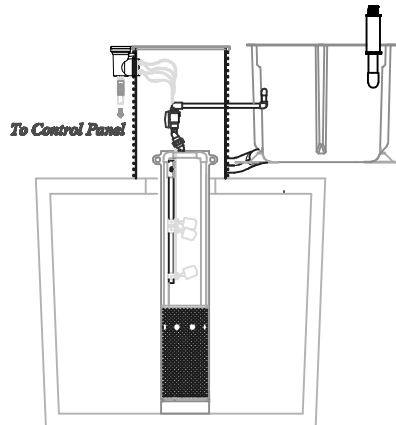
**Top  
View**



**Section  
View**



**End  
View**



**Water &  
Wastewater**

- Systems
- Products
- Service

**(719) 395-6764**

**Fax: (719) 395-3727**

**Website: [www.valleyprecast.com](http://www.valleyprecast.com)**

**Email: [frontdesk@valleyprecast.com](mailto:frontdesk@valleyprecast.com)**

**28005 Co. Rd. 317**

**P.O. Box 925**

**Buena Vista, CO 81211**