

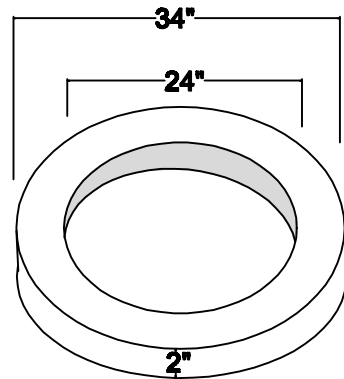
Item #

CGR2, CGR4, CGR6

Concrete Grade Rings

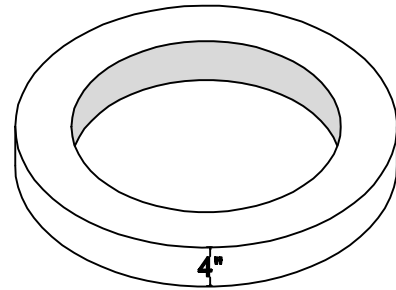
2" Grade Ring

80 lbs



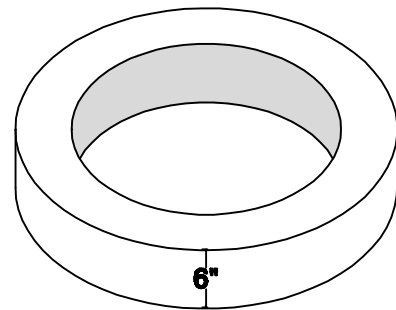
4" Grade Ring

160 lbs



6" Grade Ring

240 lbs



- 4000 psi concrete
- Reinforced with #3 rebar
- Traffic rated
- Sized for manhole rings



**Water &
Wastewater**

- Systems
- Products
- Service

(719) 395-6764

Fax: (719) 395-3727

Website: www.valleyprecast.com

Email: frontdesk@valleyprecast.com

28005 Co. Rd. 317

P.O. Box 925

Buena Vista, CO 81211