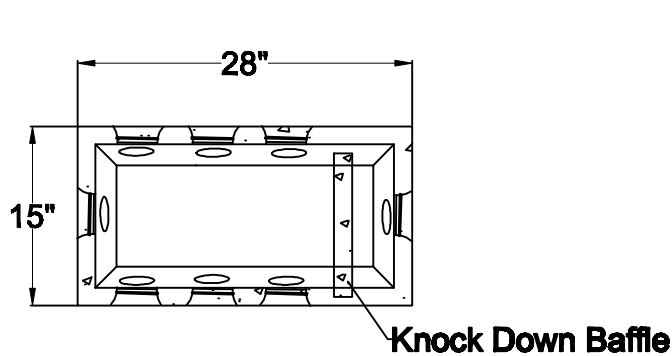


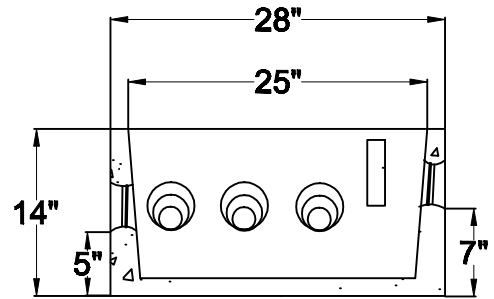
Item #
DBox 8C

Concrete Distribution Box

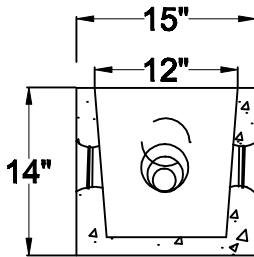
1 inlet, 7 outlets



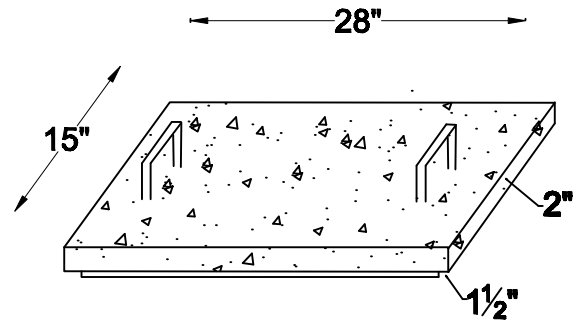
Top View



Section View



End View



Lid View

7 Outlet Equal Flow Distribution Box with Slide-In Baffle

- 4000 PSI Concrete
- 4" Pipe penetration ports
- Connectors cast into the box



**Water &
Wastewater**

- Systems
- Products
- Service

(719) 395-6764

Fax: (719) 395-3727

Website: www.valleyprecast.com

Email: frontdesk@valleyprecast.com

28005 Co. Rd. 317

P.O. Box 925

Buena Vista, CO 81211