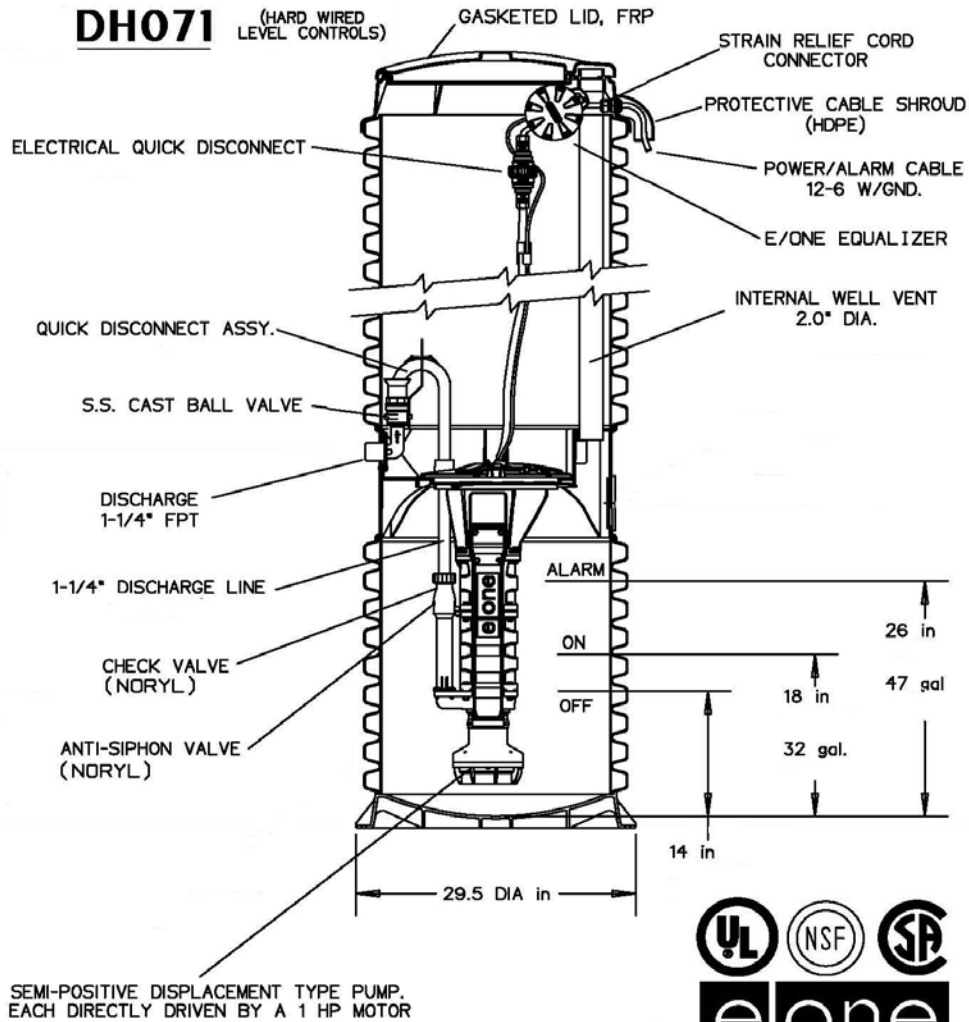


E-One



Water & Wastewater

- Systems
- Products
- Service

(719) 395-6764

Fax: (719) 395-3727

Website: www.valleyprecast.com

Email: frontdesk@valleyprecast.com

28005 County Road 317
P.O. Box 925
Buena Vista, CO 81211