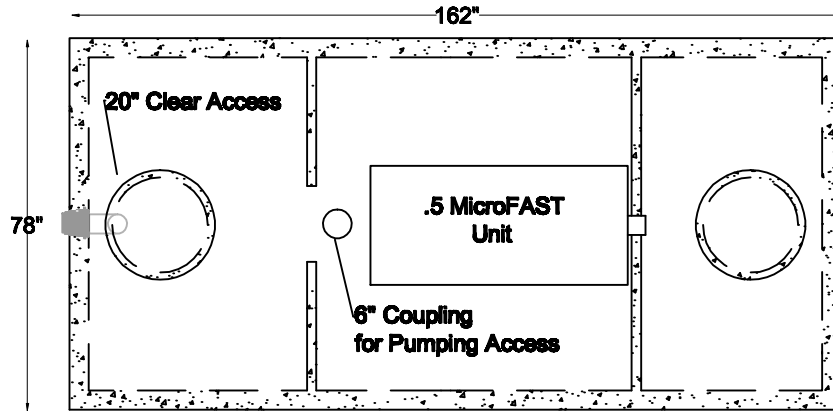


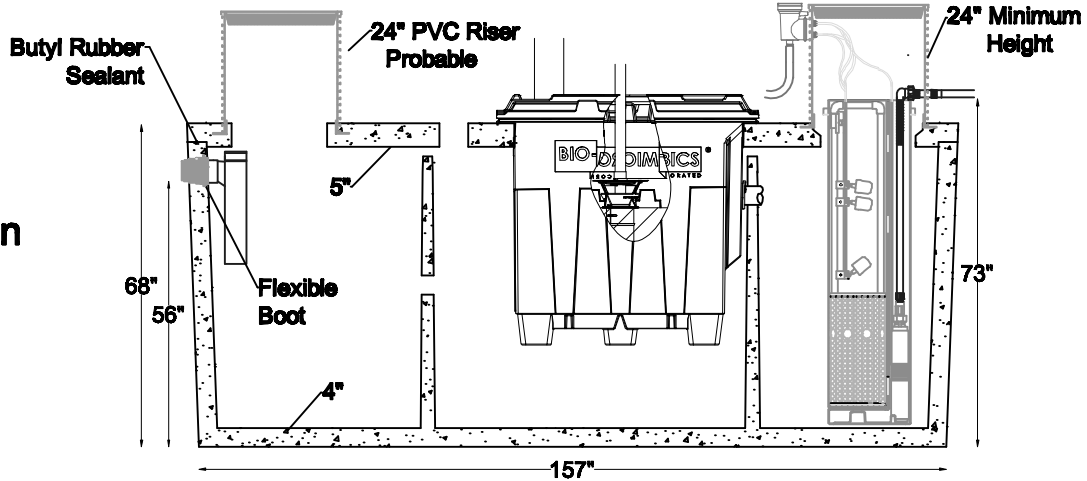
.5 MicroFAST Treatment System

Item# with Discharge Pump in 3rd Compartment
FAST.5-P (Up to 3 Bedrooms)

Top View



Section View



Tank:

*Meets ASTM C-1227 spec including C-1644-06 for resilient connectors

- 4000 psi concrete
- Complete installation available in some areas

Digging Specs	Invert		Dimensions		
15' Long x 8' Wide	Inlet	Outlet	Length	Width	Height
56" below inlet invert	56"	73"	162"	78"	92"



Net Capacity				Net Weight		
Inlet Side	Middle	Outlet Side	Total	Lid	Tank	Total
604 gallons	917 gallons	505 gallons	2,026 gallons	4,880 lbs	16,240 lbs	21,320 lbs



Water & Wastewater

- Systems
- Products
- Service

(719) 395-6764

Fax: (719) 395-3727

Website: www.valleyprecast.com

Email: frontdesk@valleyprecast.com

28005 Co. Rd. 317

P.O. Box 925

Buena Vista, CO 81211