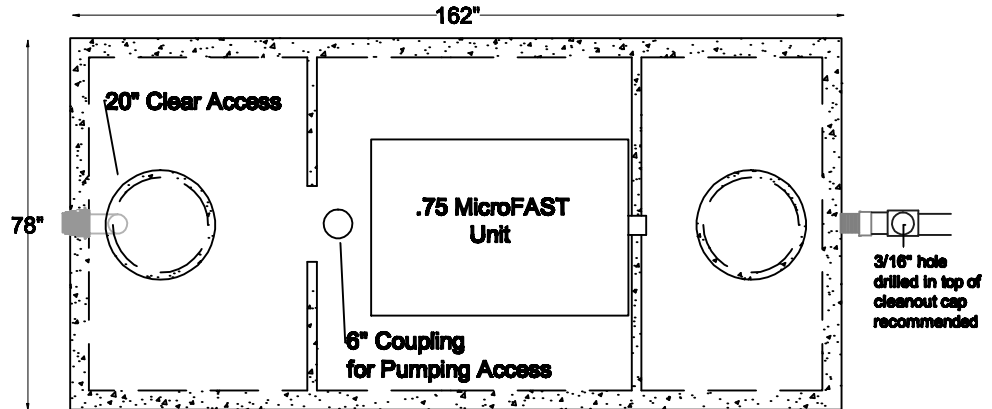


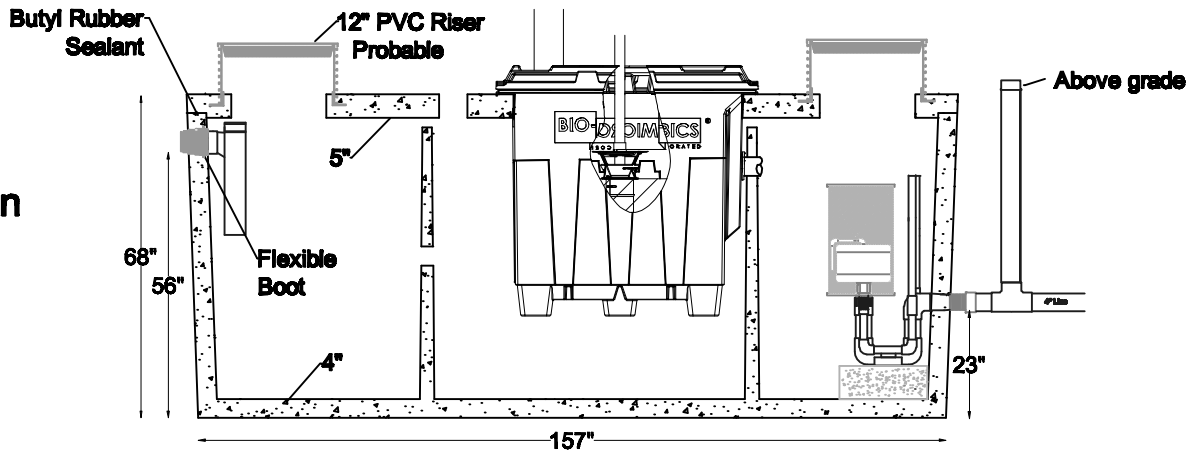
.75 MicroFAST Treatment System with Discharge Siphon in 3rd Compartment (4 - 5 Bedrooms)

Item#
FAST.75-DS

**Top
View**



**Section
View**



Tank:

***Meets ASTM C-1227 spec including C-1644-06 for resilient connectors**

- 4000 psi concrete
- Complete installation available in some areas

Digging Specs	Invert		Dimensions		
15' Long x 8' Wide	Inlet	Outlet	Length	Width	Height
56" below inlet invert	56"	23"	162"	78"	80"



Net Capacity				Net Weight		
Inlet Side	Middle	Outlet Side	Total	Lid	Tank	Total
604 gallons	917 gallons	505 gallons	2,026 gallons	4,340 lbs	16,240 lbs	20,630 lbs



**Water &
Wastewater**

- Systems
- Products
- Service

(719) 395-6764

Fax: (719) 395-3727

Website: www.valleyprecast.com

Email: frontdesk@valleyprecast.com

28005 Co. Rd. 317

P.O. Box 925

Buena Vista, CO 81211