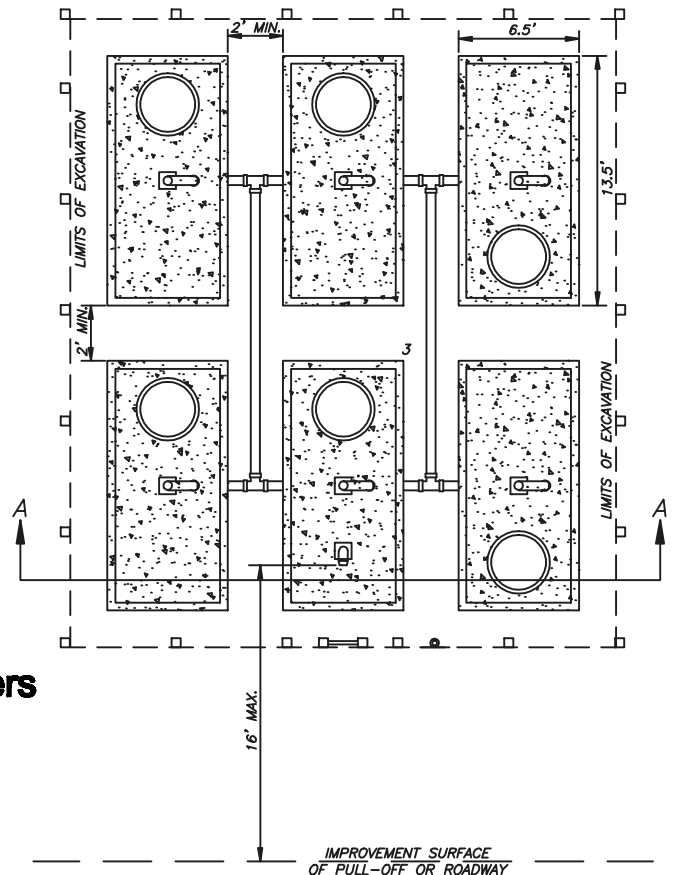


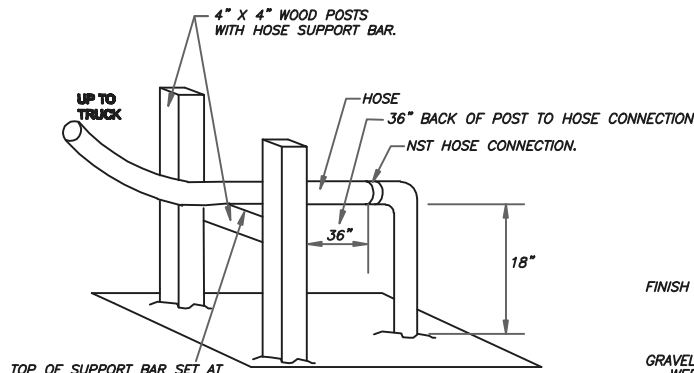
**Item #
Fire-CIS**

Fire Protection Cistern

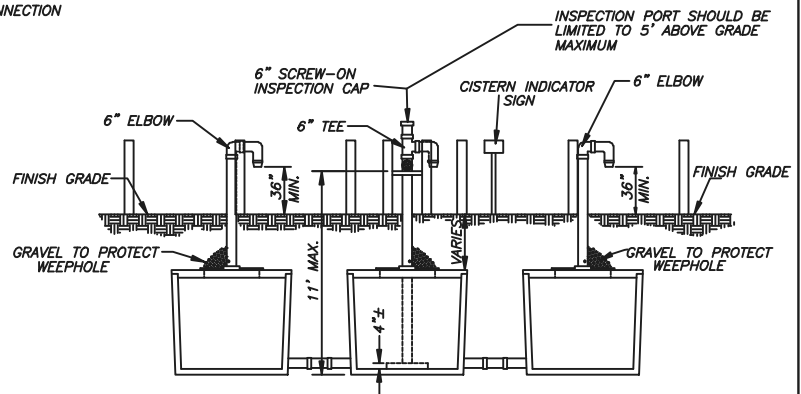
- Great source of available water year round
- Meets or exceeds ASTM C-913 spec for water structure
- Engineered drawings available by request
- Can be added onto for future expansion
- Includes:
 - *Tanks and delivery
 - *All Sch 40 and 80 piping installed at your site
 - *Sign
- Support posts and T posts done by others



Top View



Hose Support



Section View



**Water &
Wastewater**

- Systems
- Products
- Service

(719) 395-6764

Fax: (719) 395-3727

Website: www.valleyprecast.com

Email: frontdesk@valleyprecast.com

**28005 Co. Rd. 317
P.O. Box 925
Buena Vista, CO 81211**