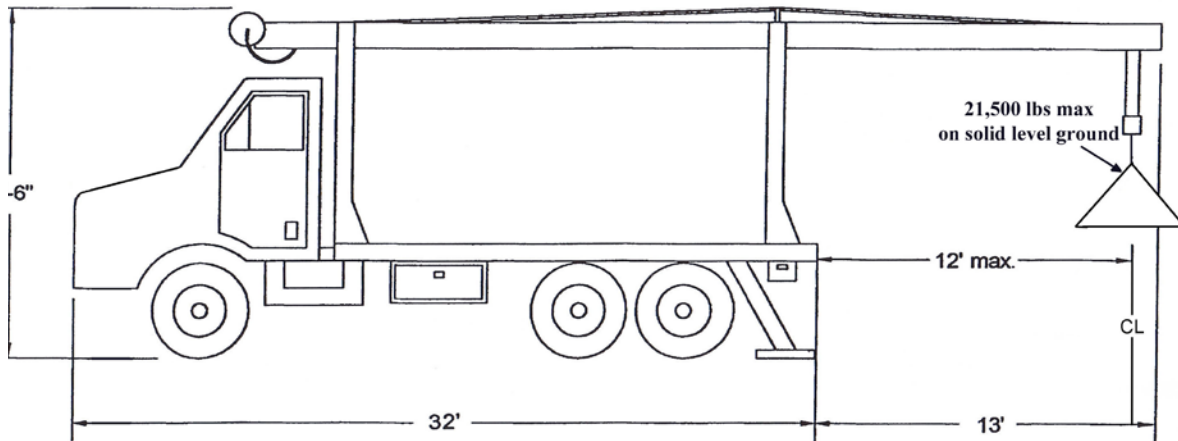


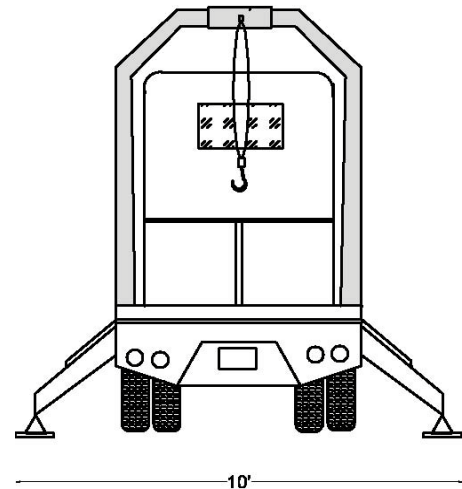
Rail Truck Capacities



Kenworth Delivery Trucks

Can set all tanks in our manual if truck is on solid ground.

** Both trucks need AT LEAST 10 feet of level ground to stabilize outriggers for tank placement **



Safety of people, equipment and products are our first priority. Our drivers will assess each job site on arrival for safety and access to the tank hole. Our driver will have final say on position and entry for the truck. **We will not take risks to place products.** The excavation should be prepared for easy placement. If you have questions regarding access, we should discuss this ahead of time.



**Water &
Wastewater**

- Systems
- Products
- Service

(719) 395-6764

Fax: (719) 395-3727

Website: <http://valleyprecast.com/>

Email: frontdesk@valleyprecast.com

28005 County Road 317
P.O. Box 925
Buena Vista, CO 81211