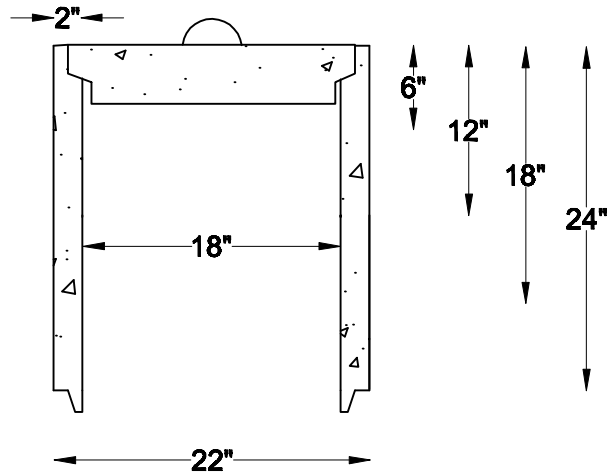


Item #
SH Riser, BH Riser

Risers

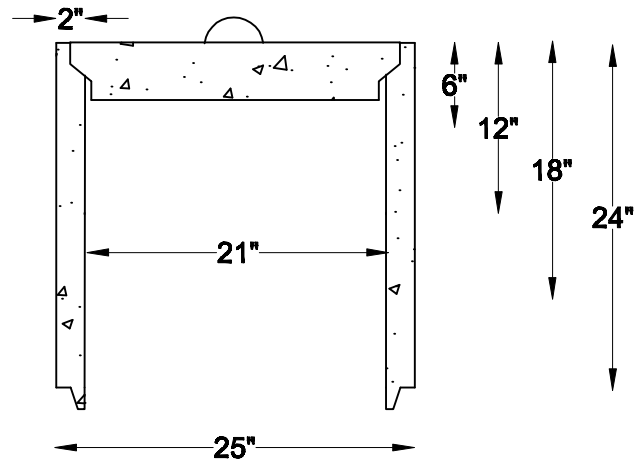
Small Hole Riser (18" Clear Access)

- 6" - 68 lbs
- 12" - 135 lbs
- 18" - 200 lbs
- 24" - 260 lbs



Big Hole Riser (20" Clear Access)

- 6" - 78 lbs
- 12" - 155 lbs
- 18" - 225 lbs
- 24" - 300 lbs



- 4000 psi concrete
- Reinforced with 6" x 6" welded wire
- Made to fit Valley Precast tanks
- Shiplap joints allow tank-riser-lid lock
- Allows for easy backfill

NOTE:

Lids are not included with risers.
Can be purchased separately.



**Water &
Wastewater**

- Systems
- Products
- Service

(719) 395-6764

Fax: (719) 395-3727

Website: www.valleyprecast.com

Email: frontdesk@valleyprecast.com

**28005 Co. Rd. 317
P.O. Box 925
Buena Vista, CO 81211**